

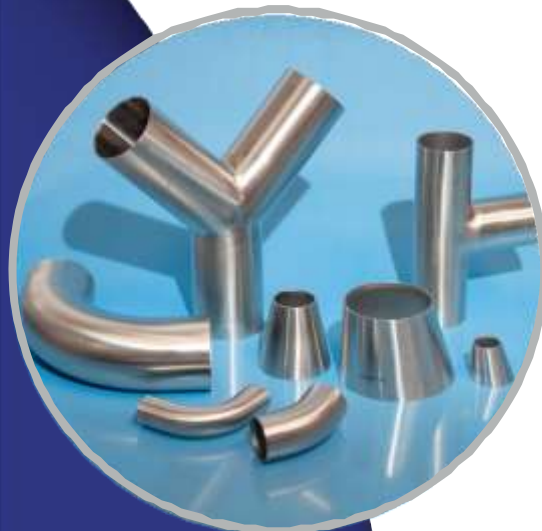
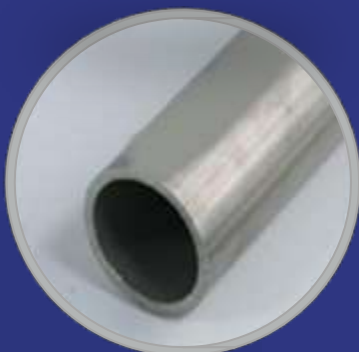
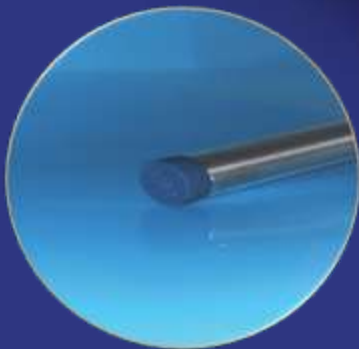
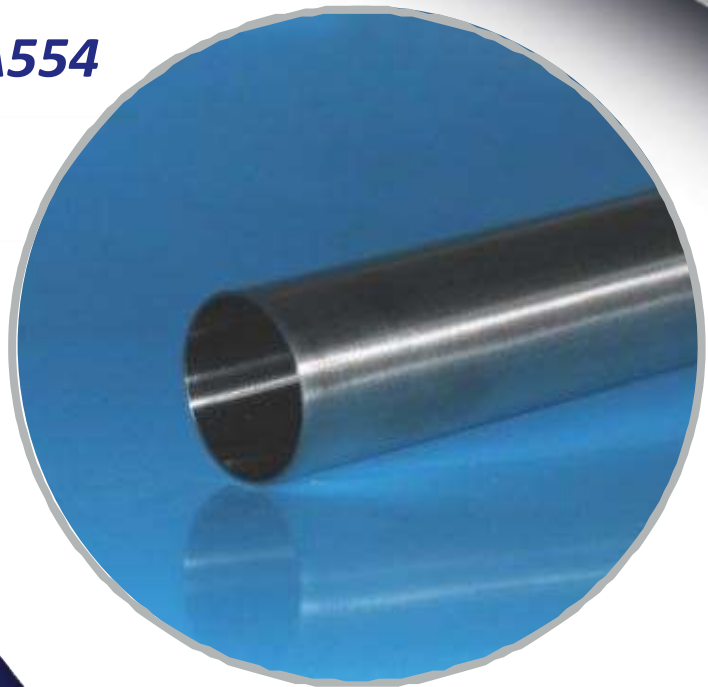


## ***Highest Quality Tubing***

***ASTM A270, EN10357, EN10217-7***

***A249, A269, A312/A778, A554***

Serving the Fluids Handling  
Industries



## About our Tube and Pipe

Zenith offers a full range of tubes and pipes according to ASTM A 312/A778 (ASME B36.19M/ASME B36.10M), A554, A213, A249, A269 US 3A ASTM A270, EN10217-7, EN10216-5, EN 10357/EN 10217-7 (formally DIN 11850), and in 304 & 316L stainless steel. Typical finishes include: polished OD and unpolished ID, polished OD and polished ID and unpolished OD and ID is also available. Polished tube is supplied in plastic sleeves with capped ends to protect the tube and the OD finish. We can supply EN10357 tube annealed and un-annealed tube. Tubes have a smooth clean and crevice free bore.

### Technical Information:

- Tube Diameters: BS-US - 1/2" OD – 8" OD and DN 10-DN150. SMS25MM-104MM - and ISO 2037- 12.7MM - 219.10MM
- Pipe Diameters: 3/8" to 12" OD – 6mm to 355.6mm. SCH-5S to SCH-80S.
- Square Box Section: 1/2" – 5" OD 10mm – 203.2mm
- Rectangular Tubes: 1/2" – 6"
- Welded Slotted Tubes 38.10mm - 40mm
- Supplied in 20 ft, 6 meter lengths.
- OD Finish: Brushed Polished OD/Unpolished ID. Polished OD and ID. Unpolished OD/ID (Descaled). Polish 180G/320G/400G/600G
- Materials: Available in AISI 304 (1.4301) and 316L (1.4404) stainless steel.
- Surface Finish Sanitary Tube: Typical: <0.80 Ra  $\mu$ -mm ID (30  $\mu$ -in Ra) and <1.6 Ra  $\mu$ -mm (63  $\mu$ -in Ra) on the internal weld bead, according to EN10357 or as per customer requirements.
- Specifications: ASTM A 312/A778 (ASME B36.19M/ASME B36.10M), A554, A213, A249, A269 US 3A ASTM A270, EN10217-7, EN10216-5, EN 10357/EN 10217-7 (formally DIN 11850).
- For Hygienic Tubes technical terms and conditions of delivery comply with EN10217-7
- Test Class according to EN10217-7
- Auto Laser Weld Inspection during production.

### Quality Assurance – Technical Standards & Certificates:

- Full material traceability is guaranteed during the manufacturing process.
- Exceeds requirements for all applicable standards EN, DIN, BS, ASME, ASTM.
- Polished tube is supplied in individual plastic sleeves with capped ends ensuring optimum cleanliness.
- Polished Internal Bore: Tubes have a smooth, clean and crevice free bore.
- Certification: All Tube can be supplied with EN 10204 3.1 certification upon request.
- Market leading quality products.
- AD2000, ASME.ASTM, ISO 9001:2015, ISO 14001-45001, EN10312, PED 2014.68.EU.

### Tube Test Procedures:

- Verification of test certificate.      Verification of Dimensions.
- 100% visual inspection (Q1 & Q2)      Eddy Current Testing (ECT)
- Surface Roughness Measurements      Corner Cut Angle Measurements.



### **HYGIENIC TUBE, BOX, FLAT, ANGLE**

HYGIENIC/SANITARY WELDED AUSTENITIC STAINLESS TUBE	- PAGE 3
HYGIENIC WELDED AUSTENITIC STAINLESS TUBE ASTM A312, A778	- PAGE 4
HYGIENIC WELDED AUSTENITIC STAINLESS TUBE ASTM A249/A269/A270/EN10357	- PAGE 5
HYGIENIC WELDED AUSTENITIC STAINLESS TUBE EN10217-7	- PAGE 7

### **INDUSTRIAL TUBE AND PIPE**

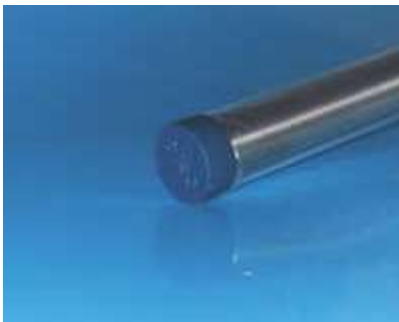
WELDED AUSTENITIC STAINLESS ROUND TUBE ASTM A554, EN10296-2	- PAGE 10
WELDED AUSTENITIC STAINLESS SQUARE TUBES ASTM A554, EN10219-2	- PAGE 13
WELDED AUSTENITIC STAINLESS RECTANGULAR TUBES ASTM A554, EN10219-2	- PAGE 15
SEAMLESS AUSTENITIC STAINLESS ROUND TUBES ASTM A269/A213, EN10216-5	- PAGE 19
SEAMLESS AUSTENITIC STAINLESS ROUND TUBES ASTM A312 (ASME B36.19M), EN10216	- PAGE 25



ASTM A312 A778 EN10216 Stainless Steel Pipe



ASTM A554 EN10219-2 Ornamental Stainless Steel Welded Tubes

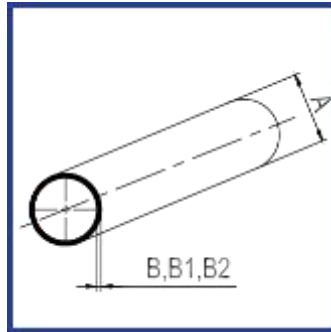
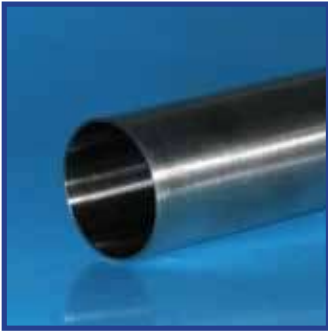


ASTM A249 A269 A270 EN10357 DIN 11850 Stainless Steel Welded Tubes



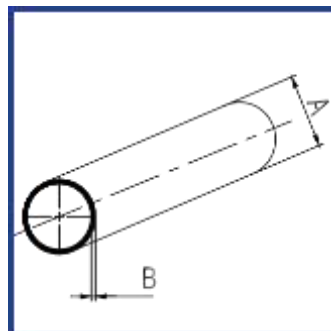
ASTM A269 A213 EN10216-5 Seamless Stainless Steel Tubes

## EN 10357 (DIN 11850) TUBE 304,304L,316,316L



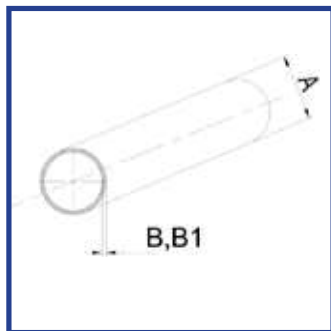
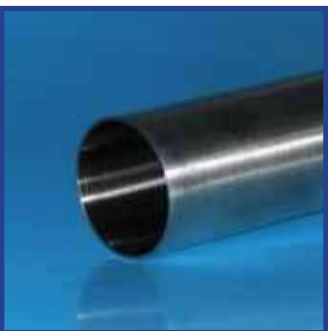
PART NO.	SIZE	A (MM)	B (MM)	B1 (MM)	B2 (MM)
EN10357	1/2"	12.7	1.65	-	-
EN10357	3/4"	19.0	1.65	-	-
EN10357	1"	25.4	1.65	1.25	1.5
EN10357	1 1/2"	38.1	1.65	1.25	1.5
EN10357	2"	50.8	1.65	1.25	1.5
EN10357	2 1/2"	63.5	1.65	1.5	1.5
EN10357	3"	76.2	1.65	1.6	1.6
EN10357	4"	101.6	2.11	1.5	2.0
EN10357	5"	129.00	2.00	-	-
EN10357	6"	154.00	1.50	2.00	2.00
EN10357	8"	204.00	2.00	-	-

## A270 TUBE & A270 S2 316L BPE TUBE



PART NO.	SIZE	A INCH	A (MM)	B (MM)	B (MM)
A270	1/2"	12.7	1.65	0.065"	1.65
A270	3/4"	19.0	1.65	0.065"	1.65
A270	1"	1.0"	25.4	0.065"	1.65
A270	1 1/2"	1.5"	38.1	0.065"	1.65
A270	2"	2.0"	50.8	0.065"	1.65
A270	2 1/2"	2.5"	63.5	0.065"	1.65
A270	3"	3.0"	76.2	0.065"	1.65
A270	4"	4.0"	101.6	0.083"	2.11
A270	6"	6.0"	152.4	0.109"	2.77

## EN 10357 TUBE DIN 11850



PART NO.	SIZE	A (MM)	B (MM)	B1 (MM)
EN10357	DN25	28.00	1.00	1.50
EN10357	DN32	34.00	1.00	1.50
EN10357	DN40	40.00	1.00	1.50
EN10357	DN50	52.00	1.00	1.50
EN10357	DN65	70.00	2.00	2.00
EN10357	DN80	85.00	2.00	2.00
EN10357	DN100	104.00	2.00	2.00

## WELDED AUSTENITIC STAINLESS PIPE ASTM A312, A778 (ASME B36.19M, ASME B36.10M)

Nominal Outside Diameter		Outside Diameter	Nominal Wall Thickness (MM)				
NPS	INCH	MM	SCH-5S	SCH-10S	SCH-20	SCH-40S	80S
	1/8"	10.80		1.24		1.73	
8	1/4"	13.70	1.24	1.65		2.24	
10	3/8"	17.20	1.24	1.65		2.31	
15	1/2"	21.30	1.65	2.11		2.77	
20	3/4"	26.70	1.65	2.11		2.87	
25	1"	33.40	1.65	2.77		3.38	
32	1 1/4"	42.20	1.65	2.77		3.56	
40	1 1/2"	48.30	1.65	2.77		3.68	5.08
50	2"	60.30	1.65	2.77		3.91	5.54
65	2 1/2"	73.00	2.11	3.05		5.16	
80	3"	88.90	2.11	3.05		5.49	
90	3 1/2"	101.60	2.11	3.05		5.74	
100	4"	114.30	2.11	3.05		6.02	
125	5"	141.30	2.77	3.40		6.55	
150	6"	168.30	2.77	3.40		7.11	
200	8"	219.10	2.77	3.76	6.35	8.18	
250	10"	273.10	3.40	4.19	6.35	9.27	
300	12"	323.90	3.96	4.57	6.35	9.53	
<b>Remark</b>	- Shaded Areas are within Production Range - The Other Nominal Outside Diameter and Wall Thickness Subject To The Approval Of Vendor And Purchaser.						



# WELDED AUSTENITIC STAINLESS TUBE ASTM A249/A269/A270/EN10357, JIS G3463, DIN17457, DIN11850 GB/T 24593, AS 1528.1

Thickness		0.60	0.80	1.00	1.20	1.24	1.50	1.65	2.00	2.11
Outside Diameter										
(INCH)	(MM)					18GA		16GA		14GA
3/8	9.53	○	◇	◇	◇	◇	◇			
1/2	12.7	○	◇	◇	◇	◇	◇			
3/4	15.90		*	*	*	*	*			
3/4	19.00/19.05		*	*	*	*	*			
7/8	22.20/22.00		*	*	*	*	*			
	23.00		*	*	*	*	*			
1	25.40/25.00		*	*	*	*	*			
	28.00/28.60		*	*	*	*	*			
	29.00		*	*	*	*	*			
1 1/4	31.80/32.00		*	*	*	*	*			
	33.00		*	*	*	*	*			
	34.00		*	*	*	*	*			
	35.00		*	*	*	*	*			
1 1/2	38.10/38.00		*	*	*	*	*			
	40.00		*	*	*	*	*			
	41.00		*	*	*	*	*			
1 3/4	44.50/45.00		*	*	*	*	*			
2	50.80/51.00			*	*	*	*	*	*	
	52.00			*	*	*	*	*	*	
	53.00			*	*	*	*	*	*	
2 1/2	63.50				*	*	*	*	*	
	70.00				*	*	*	*	*	

3	76.20				*	*	*	*	*	
	84.00/85.00						*	*	*	
3 1/2	88.90						*	*	*	
4	101.60/102.00						*	*	*	*
	103.00/104.00						◇	◇	◇	
	105.00						◇	◇	◇	
	108.00						◇	◇	◇	
	114.30						*	*	*	
	129.00						◇	◇	◇	
	154.00						◇	◇	◇	
	204.00								◇	

**Remark**

- Shaded Areas are within Production Range  
 - The Other Outside Diameter and Wall Thickness Subject To The Approval Of Vendor And Purchaser.  
 (O ): No Inside Polish and No Bead Remove (◇): Bead Remove and No Inside Polish (\*): Inside Polish and Bead Remove

Thickness \ Outside Diameter	0.50	1.00	1.20	1.50	1.60	2.00	2.30	2.50	2.60	2.70	2.90	3.00	3.05	3.20	3.50	3.60	4.00	4.50	5.00	5.60	6.00	8.00	9.00	
6.00	◇	◇																						
8.00	◇	◇																						
9.53	◇	◇	◇	◇																				
10.00	◇	◇	◇	◇																				
12.00	◇	◇	◇	◇																				
12.70		◇	◇	◇																				
13.50		◇	◇	◇	◇	◇																		
15.00/16.00		◇	◇	◇	◇	◇																		
17.20		◇	◇	◇	◇	◇																		
18.00/19.00		◇	◇	◇	◇	◇																		
20.00		◇	◇	◇	◇	◇	◇	◇	◇	◇	◇	◇												
21.30		◇	◇	◇	◇	◇	◇	◇	◇	◇	◇	◇												
22.00		◇	◇	◇	◇	◇	◇	◇	◇	◇	◇	◇												
25.00/25.40		◇	◇	◇	◇	◇	◇	◇	◇	◇	◇	◇												
26.90		◇	◇	◇	◇	◇	◇	◇	◇	◇	◇	◇												
28.00		◇	◇	◇	◇	◇	◇	◇	◇	◇	◇	◇												
30.00		◇	◇	◇	◇	◇	◇	◇	◇	◇	◇	◇												



31.80		◇	◇	◇	◇	◇	◇	◇	◇	◇	◇	◇												
32.00		◇	◇	◇	◇	◇	◇	◇	◇	◇	◇	◇												
33.00/33.7		◇	◇	◇	◇	◇	◇	◇	◇	◇	*	*	*	*										
35.00		◇	◇	◇	◇	◇	◇	◇	◇	◇	*	*	*											
38.0/38.1		◇	◇	◇	◇	◇	◇	◇	◇	◇	*	*	*											
40.00		◇	◇	◇	◇	◇	◇	◇	◇	◇	*	*	*											
42.40		◇	◇	◇	◇	◇	◇	◇	◇	◇	*	*	*	*	*									
44.45/45.0		◇	◇	◇	◇	◇	◇	◇	◇	◇	*	*	*	*	*									
48.30		◇	◇	◇	◇	◇	◇	◇	◇	◇	*	*	*	*	*									
50.8/51.0		◇	◇	◇	◇	◇	◇	◇	◇	◇	*	*	*	*	*									
54.00		◇	◇	◇	◇	◇	◇	◇	◇	◇	*	*	*	*	*	*	*	*	*	*				
57.00		◇	◇	◇	◇	◇	◇	◇	◇	◇	*	*	*	*	*	*	*	*	*	*				
60.30		◇	◇	◇	◇	◇	◇	◇	◇	◇	*	*	*	*	*	*	*	*	*	*				
63.50		◇	◇	◇	◇	◇	◇	◇	◇	◇	*	*	*	*	*	*	*	*	*	*	*	*		
70.00		◇	◇	◇	◇	◇	◇	◇	◇	◇	*	*	*	*	*	*	*	*	*	*	*	*		
73.00		◇	◇	◇	◇	◇	◇	◇	◇	◇	*	*	*	*	*	*	*	*	*	*				
76.10		◇	◇	◇	◇	◇	◇	◇	◇	◇	*	*	*	*	*	*	*	*	*	*	*	*		
88.90		◇	◇	◇	◇	◇	◇	◇	◇	◇	*	*	*	*	*	*	*	*	*	*	*	*		
101.60		◇	◇	◇	◇	◇	◇	◇	◇	◇	*	*	*	*	*	*	*	*	*	*	*	*		
103.00		◇	◇	◇	◇	◇	◇	◇	◇	◇	*	*	*	*	*	*	*	*	*	*	*	*		
104.00		◇	◇	◇	◇	◇	◇	◇	◇	◇	*	*	*	*	*	*	*	*	*	*	*	*		
108.00				◇	◇	◇	◇	◇	◇	◇	*	*	*	*	*	*	*							
114.0/114.3				◇	◇	◇	◇	◇	◇	◇	*	*	*	*	*	*	*	*	*	*	*			

129.00				◇	◇	◇	◇	◇	◇	◇	*	*	*										
139.70				◇	◇	◇	◇	◇	◇	◇	*	*	*	*	*	*	*						
153.00				◇	◇	◇	◇	◇	◇	◇	*	*	*	*	*	*	*						
154.00				◇	◇	◇	◇	◇	◇	◇	*	*	*	*	*	*	*						
156.00				◇	◇	◇	◇	◇	◇	◇	*	*	*	*	*	*	*						
159.00				◇	◇	◇	◇	◇	◇	◇	*	*	*	*	*	*	*						
168.30						◇	◇	◇	◇	◇	*	*	*	*	*	*	*	*	*	*	*	*	*
219.0/219.1						◇	◇	◇	◇	◇	*	*	*	*	*	*	*	*	*	*	*	*	*
254.00								**	**	**	**	**	**	**	**	**	**	**	**	**	**	**	**
273.00											**	**	**	**	**	**	**	**	**	**	**	**	**
323.90											**	**	**	**	**	**	**	**	**	**	**	**	**

<b>Remarks</b>	-	<p>- Shaded Areas are within Production Range</p> <p>- The Other Outside Diameter and Wall Thickness Subject To The Approval Of Vendor And Purchaser.</p> <p>- Cold Roll Material: Thickness 0.5~3.0mm</p> <p>- Hot Roll Material: Thickness 2.5~9mm</p> <p>(◇): Polish 180G/320G/400G/600G      (*): Polish 180G      (**): Mill Finish/MF</p>
----------------	---	---



# WELDED AUSTENITIC STAINLESS ROUND TUBE ASTM A554, GB/T 12770, JG/T 3030, YB/T 5363, EN10296-2,

Thickness Outside Diameter		0.5	0.60	0.70	0.8	0.90 0.89	1.00	1.07	1.20 1.24	1.50	1.65	2.00 2.11	2.50	2.70	3.00 3.05	3.50	4.00	5.00	6.00	8.00	9.53	
		INCH		GA		20GA		19GA		18GA		16GA		14GA		11GA						
		MM																				
	6.00	◇	◇	◇	◇	◇	◇															
	8.00	◇	◇	◇	◇	◇	◇															
3/8	9.53/10.00	◇	◇	◇	◇	◇	◇	◇	◇													
	11.00/11.11	◇	◇	◇	◇	◇	◇	◇	◇													
1/2	12.00/12.70	◇	◇	◇	◇	◇	◇	◇	◇	◇												
	14.00		◇	◇	◇	◇	◇	◇	◇	◇												
	15.00		◇	◇	◇	◇	◇	◇	◇	◇	◇											
5/8	15.90/15.88/16.00		◇	◇	◇	◇	◇	◇	◇	◇	◇	◇										
	17.00/17.20		◇	◇	◇	◇	◇	◇	◇	◇	◇	◇										
	18.00		◇	◇	◇	◇	◇	◇	◇	◇	◇	◇										
	19.00/19.05		◇	◇	◇	◇	◇	◇	◇	◇	◇	◇										
	20.00		◇	◇	◇	◇	◇	◇	◇	◇	◇	◇										
	21.30		◇	◇	◇	◇	◇	◇	◇	◇	◇	◇										
	22.00./22.23		◇	◇	◇	◇	◇	◇	◇	◇	◇	◇										
	24.20		◇	◇	◇	◇	◇	◇	◇	◇	◇	◇										
1	25.00/25.40		◇	◇	◇	◇	◇	◇	◇	◇	◇	◇	◇									
	26.90				◇	◇	◇	◇	◇	◇	◇	◇	◇									
1 1/8	28.0/28.6				◇	◇	◇	◇	◇	◇	◇	◇	◇									
	30.00				◇	◇	◇	◇	◇	◇	◇	◇	◇	◇								
1 1/4	31.75/31.8/32.0				◇	◇	◇	◇	◇	◇	◇	◇	◇	◇								

	33.40/33.70/34.00				◇	◇	◇	◇	◇	◇	◇	◇	◇	◇						
	35.00				◇	◇	◇	◇	◇	◇	◇	◇	◇	◇	*					
	36.00				◇	◇	◇	◇	◇	◇	◇	◇	◇	◇	*					
1 1/2	38.00/38.10				◇	◇	◇	◇	◇	◇	◇	◇	◇	◇	*					
	40.00				◇	◇	◇	◇	◇	◇	◇	◇	◇	◇	*					
1 5/8	41.26				◇	◇	◇	◇	◇	◇	◇	◇	◇	◇	*					
	42.40				◇	◇	◇	◇	◇	◇	◇	◇	◇	◇	*					
	43.00				◇	◇	◇	◇	◇	◇	◇	◇	◇	◇	*					
1 3/4	44.45/45.00				◇	◇	◇	◇	◇	◇	◇	◇	◇	◇	*					
	47.63/48.00/48.30				◇	◇	◇	◇	◇	◇	◇	◇	◇	◇	*					
2	50.0/50.8/51.00				◇	◇	◇	◇	◇	◇	◇	◇	◇	◇	*	*	*	*		
	54.00				◇	◇	◇	◇	◇	◇	◇	◇	◇	◇	*					
	56.00				◇	◇	◇	◇	◇	◇	◇	◇	◇	◇	*					
	57.00				◇	◇	◇	◇	◇	◇	◇	◇	◇	◇	*					
	60.30				◇	◇	◇	◇	◇	◇	◇	◇	◇	◇	*					
2 1/2	63.50				◇	◇	◇	◇	◇	◇	◇	◇	◇	◇	*					
	65.41				◇	◇	◇	◇	◇	◇	◇	◇	◇	◇	*					
	69.85				◇	◇	◇	◇	◇	◇	◇	◇	◇	◇	*					
	70.00				◇	◇	◇	◇	◇	◇	◇	◇	◇	◇	*					
	73.00				◇	◇	◇	◇	◇	◇	◇	◇	◇	◇	*					
3	76.20				◇	◇	◇	◇	◇	◇	◇	◇	◇	◇	*					
	80.00						◇	◇	◇	◇	◇	◇	◇	◇	*					
	83.00						◇	◇	◇	◇	◇	◇	◇	◇	*					
	84.00/85.00						◇	◇	◇	◇	◇	◇	◇	◇	*					
	86.90/87.00							◇	◇	◇	◇	◇	◇	◇	*					
3 1/2	88.90							◇	◇	◇	◇	◇	◇	◇	*	*	*	*	*	
	96.00							◇	◇	◇	◇	◇	◇	◇	*					
4	101.60/102.00								◇	◇	◇	◇	◇	◇	*	*	*	*	*	

	104.00/105.00									◇	◇	◇	◇	◇	*								
	108.00									◇	◇	◇	◇	◇	*	*	*						
	114.00/114.30									◇	◇	◇	◇	◇	*	*	*	*	*				
5	127.00									◇	◇	◇	◇	◇	*	*	*	*	*				
	128.00									◇	◇	◇	◇	◇	*								
	129.00									◇	◇	◇	◇	◇	*								
	133.00									◇	◇	◇	◇	◇	*	*	*						
	139.70									◇	◇	◇	◇	◇	*	*	*						
6	152.40											◇	◇	◇	*	*							
	154.00									◇	◇	◇	◇	◇	*	*	*						
	156.00											◇	◇	◇	*	*	*	*					
	159.00											◇	◇	◇	*	*	*	*	*	*	*		
	168.00/168.28											◇	◇	◇	*	*	*	*	*	*	*		
	203.00/204.00											◇	◇	◇	*	*	*	*	*	*	*		
	219.00/219.10											◇	◇	◇	*	*	*	*	*	*	*		
10	254.00											**	**	**	**	**	**	**	**	**	**		
	273.00/273.05												**	**	**	**	**	**	**	**	**		
	323/325														**	**	**	**	**	**	**	**	**

<b>Remark</b>	<ul style="list-style-type: none"> <li>- Shaded Areas are within Production Range</li> <li>- The Other Outside Diameter and Wall Thickness Subject To The Approval Of Vendor And Purchaser.</li> <li>- Cold Roll Material: Thickness 0.5~3.0mm</li> <li>- Hot Roll Material: Thickness 2.5~9.53mm</li> </ul> (◇): Polish 180G/320G/400G/600G    (*): Polish 180G    (**): Mill Finish/MF
---------------	--

# WELDED AUSTENITIC STAINLESS SQUARE TUBES ASTM A554, GB/T 12770, JG/T 3030, YB/T 5363, EN10219-2

Thickness (mm) Outside Diameter		0.50	0.60	0.70	0.80 0.89	0.90	1.00	1.07	1.20	1.24	1.50	1.65	2.00 2.11	2.50	2.70 2.77	3.00 3.05	4.00	4.50 4.55	5	6.00 6.35	7	8	9.53
		INCH	MM				20GA			19GA		18GA		16GA	14GA		12GA	11GA		7GA			
	10.00x10.00	◇	◇	◇	◇	◇	◇	◇	◇														
	12.00x12.00	◇	◇	◇	◇	◇	◇	◇	◇	◇													
1/2x1/2	12.70x12.70	◇	◇	◇	◇	◇	◇	◇	◇	◇													
	15.00x15.00	◇	◇	◇	◇	◇	◇	◇	◇	◇	◇	◇											
5/8x5/8	15.88x15.88	◇	◇	◇	◇	◇	◇	◇	◇	◇	◇	◇	◇										
	16.00x16.00	◇	◇	◇	◇	◇	◇	◇	◇	◇	◇	◇	◇										
	19.00x19.00	◇	◇	◇	◇	◇	◇	◇	◇	◇	◇	◇	◇	◇	◇	*							
3/4x3/4	19.05x19.05	◇	◇	◇	◇	◇	◇	◇	◇	◇	◇	◇	◇	◇	◇	*							
	20.00x20.00			◇	◇	◇	◇	◇	◇	◇	◇	◇	◇	◇	◇								
7/8x7/8	22.23x22.23			◇	◇	◇	◇	◇	◇	◇	◇	◇	◇	◇	◇	*							
	25.00x25.00			◇	◇	◇	◇	◇	◇	◇	◇	◇	◇	◇	◇	*							
1x1	25.40x25.40			◇	◇	◇	◇	◇	◇	◇	◇	◇	◇	◇	◇	*							
	30.00x30.00			◇	◇	◇	◇	◇	◇	◇	◇	◇	◇	◇	◇	*							
1 1/4x1 1/4	31.75x31.75			◇	◇	◇	◇	◇	◇	◇	◇	◇	◇	◇	◇	*							
	35.00x35.00			◇	◇	◇	◇	◇	◇	◇	◇	◇	◇	◇	◇	*							
	38.00x38.00			◇	◇	◇	◇	◇	◇	◇	◇	◇	◇	◇	◇	*	*						
1 1/2x1 1/2	38.10x38.10			◇	◇	◇	◇	◇	◇	◇	◇	◇	◇	◇	◇	*	*						
	40.00x40.00						◇	◇	◇	◇	◇	◇	◇	◇	◇	*	*						
	44.45x44.45						◇	◇	◇	◇	◇	◇	◇	◇	◇	*	*						
	45.00x45.00						◇	◇	◇	◇	◇	◇	◇	◇	◇	*	*						
	50.00x50.00						◇	◇	◇	◇	◇	◇	◇	◇	◇	*	*	*	*	*	*		
2x2	50.80x50.80						◇	◇	◇	◇	◇	◇	◇	◇	◇	*	*	*	*	*	*		
	60.00x60.00								◇	◇	◇	◇	◇	◇	◇	*	*	*	*	*	*		
	63.00x63.00								◇	◇	◇	◇	◇	◇	◇	*	*	*	*	*	*		

2 1/2x2 1/2	63.50x63.50									◇	◇	◇	◇	◇	◇	◇	*	*	*	*	*				
	70.00x70.00											◇	◇	◇	◇	◇	*	*	*	*	*				
	75.00x75.00											◇	◇	◇	◇	◇	*	*	*	*	*				
	76.00x76.00											◇	◇	◇	◇	◇	*	*	*	*	*				
3x3	76.20x76.20											◇	◇	◇	◇	◇	*	*	*	*	*			**	
	80.00x80.00											◇	◇	◇	◇	◇	*	*	*	*	*				
3 1/2x3 1/2	88.90x88.90											◇	◇	◇	◇	◇	*	*	*	*	*				
	90.00x90.00											◇	◇	◇	◇	◇	*	*	*	*	*				
	100.00x100.00											◇	◇	◇	◇	◇	*	*	*	*	*				
4x4	101.60x101.60											◇	◇	◇	◇	◇	*	*	*	*	*				
	120.00x120.00													◇	◇	◇	*	*	*	*	*				
5x5	127.00x127.00													◇	◇	◇	*	*	*	*	*	*			
	150.00x150.00														◇	◇	*	*	*	*	*	*	*	**	**
	152.40x152.40														◇	◇	*	*	*	*	*	*	*	**	**
	200.00x200.00																**	**	**	**	**	**	**	**	**
	203.20x203.20																**	**	**	**	**	**	**	**	**

**Remark**

- Shaded Areas are within Production Range  
- The Other Outside Diameter and Wall Thickness Subject To The Approval Of Vendor And Purchaser.  
- Cold Roll Material: Thickness 0.5~3.0mm  
- Hot Roll Material: Thickness 2.5~9.53mm  
(◇): Polish 180G/320G/400G/600G    (\*): Polish 180G    (\*\* ) Mill Finish/MF



# WELDED AUSTENITIC STAINLESS RECTANGULAR TUBES ASTM A554, GB/T 12770, JG/T 3030, YB/T 5363, EN10219-2

Thickness		0.80	0.90	1.00	1.07	1.20	1.24	1.50	1.65	2.00	2.50	2.70	3.00	4.00	4.50	5.00	6.00	6.30	7.00	8.00	9.53	
Thickness (mm)		0.89								2.11		2.77	3.05		4.55			6.35	7.0	8.00	9.53	
Outside Diameter																						
INCH	(MM)	20GA			19GA		18GA		16GA	14GA		12GA	11GA		7GA							
	10.00x20.00	◇	◇	◇	◇	◇	◇	◇														
	10.00x25.00	◇	◇	◇	◇	◇	◇	◇														
	10.00x30.00	◇	◇	◇	◇	◇	◇	◇														
	10.00x40.00	◇	◇	◇	◇	◇	◇	◇														
	10.00x50.00			◇	◇	◇	◇	◇														
	10.00x60.00			◇	◇	◇	◇	◇														
	10.00x80.00					◇	◇	◇														
1/2x1	12.70x25.40			◇	◇	◇	◇	◇														
1/2x1 1/4	12.70x31.75			◇	◇	◇	◇	◇														
1/2x1 1/2	12.70x38.10			◇	◇	◇	◇	◇														
1/2x2	12.70x50.80			◇	◇	◇	◇	◇														
1/2x3	12.70x76.20			◇	◇	◇	◇	◇														
	15.00x20.00			◇	◇	◇	◇	◇	◇	◇												
	15.00x25.00			◇	◇	◇	◇	◇	◇	◇												
	15.00x30.00			◇	◇	◇	◇	◇	◇	◇												
	15.00x35.00			◇	◇	◇	◇	◇	◇	◇												
	15.00x40.00			◇	◇	◇	◇	◇	◇	◇												
	15.00x50.00			◇	◇	◇	◇	◇	◇	◇												



3/4x1 1/2	19.05x38.10			◇	◇	◇	◇	◇	◇	◇	◇	◇	*								
	20.00x30.00			◇	◇	◇	◇	◇	◇	◇											
	20.00x40.00			◇	◇	◇	◇	◇	◇	◇	◇	◇									
	20.00x50.00			◇	◇	◇	◇	◇	◇	◇	◇	◇									
	20.00x60.00			◇	◇	◇	◇	◇	◇	◇	◇	◇									
	20.00x70.00			◇	◇	◇	◇	◇	◇	◇	◇	◇									
	20.00x80.00			◇	◇	◇	◇	◇	◇	◇	◇	◇									
	25.00x13.00			◇	◇	◇	◇	◇	◇	◇											
	25.00x30.00			◇	◇	◇	◇	◇	◇	◇											
	25.00x38.00			◇	◇	◇	◇	◇	◇	◇											
	25.00x50.00			◇	◇	◇	◇	◇	◇	◇	◇	◇	*								
	25.00x75.00			◇	◇	◇	◇	◇	◇	◇	◇	◇	*								
1x1 1/2	25.40x38.10			◇	◇	◇	◇	◇	◇	◇	◇	◇	*								
1x2	25.40x50.80			◇	◇	◇	◇	◇	◇	◇	◇	◇	*								
1x2 1/2	25.40x63.50			◇	◇	◇	◇	◇	◇	◇	◇	◇	*								
1x3	25.40x76.20			◇	◇	◇	◇	◇	◇	◇	◇	◇	*								
	30.00x40.00			◇	◇	◇	◇	◇	◇	◇	◇	◇	*								
	30.00x50.00			◇	◇	◇	◇	◇	◇	◇	◇	◇	*								
	30.00x60.00			◇	◇	◇	◇	◇	◇	◇	◇	◇	*								
	30.00x70.00			◇	◇	◇	◇	◇	◇	◇	◇	◇	*								
1 1/2x2	38.10x50.80			◇	◇	◇	◇	◇	◇	◇	◇	◇	*								
1 1/2x2 1/2	38.10x63.50			◇	◇	◇	◇	◇	◇	◇	◇	◇	*								
1 1/2x3	38.10x76.20			◇	◇	◇	◇	◇	◇	◇	◇	◇	*								
	40.00x50.00					◇	◇	◇	◇	◇	◇	◇	*								
	40.00x60.00					◇	◇	◇	◇	◇	◇	◇	*	*	*	*	*				

	40.00x80.00					◇	◇	◇	◇	◇	◇	◇	*	*	*	*	*				
	40.00x100.00					◇	◇	◇	◇	◇	◇	◇	*	*	*	*	*				
	40.00x120.00							◇	◇	◇	◇	◇	*								
	45.00x75.00					◇	◇	◇	◇	◇											
	50.00x70.00			◇	◇	◇	◇	◇	◇	◇	◇	◇	*	□	□	□	□				
	50.00x75.00							◇	◇	◇	◇	◇	*	*	*	*	*				
	50.00x100.00							◇	◇	◇	◇	◇	*	*	*	*	*				
	50.00x127.00								◇	◇	◇	◇	*	*	*	*	*				
	50.00x150.00								◇	◇	◇	◇	*	*	*	*	*				
2x3	50.80x76.20							◇	◇	◇	◇	◇	*	*	*	*	*	*			
2x4	50.80x101.60							◇	◇	◇	◇	◇	*	*	*	*	*	*			
2x5	50.80x127.00								◇	◇	◇	◇	*	*	*	*	*	*			
2x6	50.80x152.40								◇	◇	◇	◇	*	*	*	*	*	*			
	60.00x80.00							◇	◇	◇	◇	◇	*	*	*	*	*				
	60.00x100.00							◇	◇	◇	◇	◇	*	*	*	*	*				
	60.00x120.00							◇	◇	◇	◇	◇	*	*	*	*	*				
	75.00x100.00							◇	◇	◇	◇	◇	*	*	*	*	*	*			
	75.00x125.00							◇	◇	◇	◇	◇	*	*	*	*	*	*			
	75.00x150.00							◇	◇	◇	◇	◇	*	*	*	*	*	*			
3x4	76.20x101.60								◇	◇	◇	◇	*	*	*	*	*	*			
3x5	76.20x127.00								◇	◇	◇	◇	*	*	*	*	*	*			
3x6	76.2x152.40								◇	◇	◇	◇	*	*	*	*	*	*			
	80.00x100.00								◇	◇	◇	◇	*	*	*	*	*				
	80.00x120.00								◇	◇	◇	◇	*	*	*						
	80.00x140.00								◇	◇	◇	◇	*	*	*	*	*				

	80.00x160.00									◇	◇	◇	*	*	*	*						
	100.00x150.00									◇	◇	◇	*	*	*	*	*	*				
	100.00x200.00									◇	◇	◇	*	*	*	*	*	*				
	100.00x250.00									**	**	**	**	**	**	**	**	**	**	**		
4x6	101.60x152.40									◇	◇	◇	*	*	*	*	*	*	□	□	**	
4x8	101.60x203.20									◇	◇	◇	*	*	*	*	*	*	□	□	**	
	101.60x254.00									□	□	□	**	**	**	**	**	**	**	**	□	
	150.00x200.00												**	**	**	**	**	**	**	**	□	□
	150.00x250.00												**	**	**	**	**	**	**	**	□	□
6x8	152.40x203.20												**	**	**	**	**	**	**	**	□	□
6x10	152.40x254.00												**	**	**	**	**	**	**	**	□	□

<b>Remark</b>	<p>- Shaded Areas are within Production Range  - The Other Outside Diameter and Wall Thickness Subject To The Approval Of Vendor And Purchaser.  - Cold Roll Material: Thickness 0.5~3.0mm  - Hot Roll Material: Thickness 2.5~9.53mm  (◇): Polish 180G/320G/400G/600G    (*): Polish 180G    (**): Mill Finish/MF</p>
---------------	--

Thickness		0.89	1.00	1.2	1.24	1.25	1.50	1.60	1.65	2.0	2.11	2.30	2.50	2.60	2.77	2.90	3.00	3.20	3.40	3.50	3.60	3.76	
Outside Diameter		18GA				16GA			14GA			12GA											
(INCH)	(MM)																						
1/4	6.00/6.35																						
	7.94/8.00																						
3/8	9.53																						
	10.00																						
	10.02																						
	12.00																						
1/2	12.50																						
	12.70																						
	13.50																						
	13.70																						
	14.00																						
	15.00																						
3/4	15.90																						
	16.00																						
	17.00																						
	17.20																						
3/4	18.00																						
	19.05																						
	20.00																						
	21.30																						
	22.00																						
	24.00																						

	25.00																					
1	25.40																					
	26.90																					
	28.00																					
	30.00																					
1 1/4	31.80																					
	32.00																					
	33.00																					
	33.70																					
	34.00																					
	35.00																					
	38.00																					
1 1/2	38.10																					
	40.00																					
1 2/3	42.40																					
	44.50																					
	45.00																					
	48.30																					
	50.00																					
2	50.80																					
	51.00																					
	54.00																					
	55.00																					
	57.00																					
	60.00																					
	60.30																					
2 1/2	63.50																					
	65.00																					

	70.00																					
	73.30																					
	75.00																					
3	76.10																					
	80.00																					
	82.50																					
	85.00																					
3 1/2	88.90																					
	90.00																					
	95.00																					
	100.00																					
4	101.60																					
	102.00																					
	108.00																					
	114.30																					

<b>Remark</b>	<ul style="list-style-type: none"> <li>- Shaded Areas are within Production Range.</li> <li>- The Other Outside Diameter and Wall Thickness Subject To The Approval Of Vendor And Purchaser.</li> </ul>
---------------	---

Thickness		3.91	4.00	4.05	4.50	5.00	5.40	5.50	5.54	6.00	6.30	6.50	7.00	7.10	7.11	8.00	8.18	10	12.5	12.7	14.2	
Outside Diameter																						
(INCH)	(MM)																					
1/4	6.00/6.35																					
	7.94/8.00																					
3/8	9.53																					
	10.00																					
	10.30																					
	12.00																					
	12.50																					
1/2	12.70																					
	13.50																					
	13.70																					
	14.00																					
	15.00																					
	15.90																					
3/4	16.00																					
	17.00																					
	17.20																					
	18.00																					
3/4	19.05																					
	20.00																					
	21.30																					
	22.00																					
	24.00																					
1	25.00																					
	25.40																					

	26.90																			
	28.00																			
	30.00																			
1 1/4	31.80																			
	32.00																			
	33.00																			
	33.70																			
	34.00																			
	35.00																			
	38.00																			
1 1/2	38.10																			
	40.00																			
1 2/3	42.40																			
	44.50																			
	45.00																			
	48.30																			
	50.00																			
2	50.80																			
	51.00																			
	54.00																			
	55.00																			
	57.00																			
	60.00																			
	60.30																			
2 1/2	63.50																			
	65.00																			
	70.00																			
	73.30																			
	75.00																			
3	76.10																			
	80.00																			
	82.50																			



	85.00																					
3 1/2	88.90																					
	90.00																					
	95.00																					
	100.00																					
4	101.60																					
	102.00																					
	108.00																					
	114.30																					

<b>Remark</b>	<ul style="list-style-type: none"> <li>- Shaded Areas are within Production Range.</li> <li>- The Other Outside Diameter and Wall Thickness Subject To The Approval Of Vendor And Purchaser.</li> </ul>
---------------	---

Nominal Diameter	Outside Diameter	Nominal Wall Thickness (MM)				
		ASME B36.19M				
NPS	MM	SCH-10S	SCH-40S	SCH-80S	SCH-160S	XXS
1/8"	10.30	1.24	1.73	2.41	3.15	
1/4"	13.70	1.65	2.24	3.02	3.68	
3/8"	17.20	1.65	2.31	3.20	4.01	
1/2"	21.30	2.11	2.77	3.73	4.78	7.47
3/4"	26.70	2.11	2.87	3.91	5.56	7.82
1"	33.40	2.77	3.38	4.55	6.35	9.09
1 1/4"	42.20	2.77	3.56	4.85	6.35	9.70
1 1/2"	48.30	2.77	3.68	5.08	7.14	10.15
2"	60.30	2.77	3.91	5.54	8.74	11.07
2 1/2"	73.00	3.05	5.16	7.01	9.53	14.02
3"	88.90	3.05	5.49	7.62	11.13	15.24
3 1/2"	101.60	3.05	5.74	8.08	-	16.15
4"	114.30	3.05	6.02	8.56	13.49	17.12
5"	141.30	3.40	6.55	9.53	15.88	19.05
6"	168.30	3.40	7.11	10.97	18.26	21.95
8"	219.10	3.76	8.18	12.70	23.01	22.23
<b>Remark</b>	- Shaded Areas are within Production Range - The Other Normal Outside Diameter and Wall Thickness Subject To The Approval Of Vendor And Purchaser.					



NO.	SIZE		Slotted		WALL THICKNESS			
	(MM)	(MM)	(MM)	(MM)	1.00 (MM)	1.20 (MM)	1.50 (MM)	2.00 (MM)
1	38.10		15	15				
2	50.80		15	15				
3	40.00	40.00	15	15				
4	50.00	50.00	15	15				
5	40.00	60.00	15	15				
6	40.00	40.00	24	24				
<b>Remark</b>	- Shaded Areas are within Production Range - The Other Subject To The Approval Of Vendor & Purchaser.							

**STAINLESS WELD EMBOSSED TUBES**

Thickness Outside Diameter		0.4	0.5	0.60	0.70	0.80	0.90	1.00	1.20	1.50
		(inch)	(mm)							
	25.00									
	32.00									
	38.00									
	50.80									
	60.00									
	76.00									
<b>Remark</b>	- Shaded Areas are within Production Range - The Other Subject To The Approval Of Vendor And Purchaser.									

**STAINLESS WELD THREADED TUBES**

Thickness Outside Diameter		0.4	0.5	0.60	0.70	0.80	0.90	1.00	1.20	1.50
		(inch)	(mm)							
	32.00									
	38.00									
	50.80									
	60.00									
<b>Remark</b>	- Shaded Areas are within Production Range - The Other Subject To The Approval Of Vendor And Purchaser.									