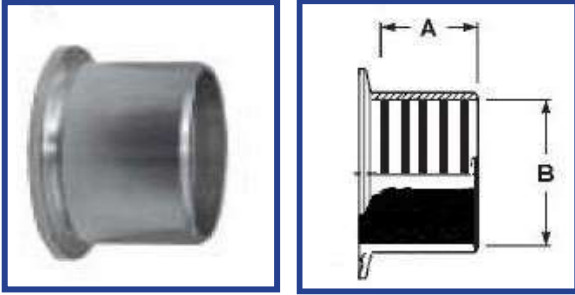


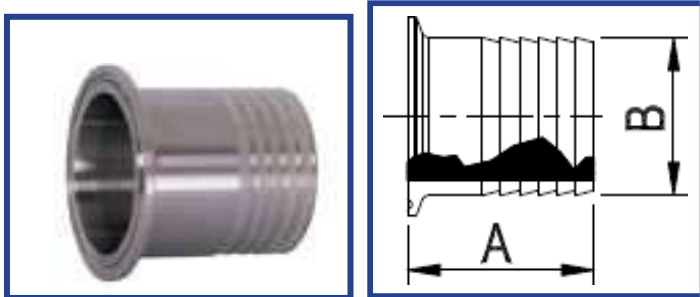
14RMP FERRULES 14MPHR HOSE BARB

14RMP - RECESSLESS ROLL-ON EXPANDING FERRULES



PART NO.	SIZE	A (INCH)	B (INCH)
14RMP	1"	0.750	1.005
14RMP	1.5"	1.125	1.505
14RMP	2"	1.312	2.005
14RMP	2½"	1.375	2.505
14RMP	3"	1.437	3.005
14RMP	4"	1.500	4.005
14RMP	6"	2.000	6.005

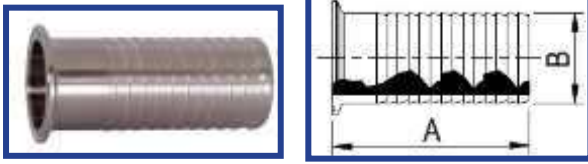
14MPHR - CLAMP RUBBER HOSE BARB



PART NO.	SIZE	A (INCH)	B (INCH)
14MPHR	1/2" x 1/8"	1.250	0.125
14MPHR	1/2" x 1/4"	1.500	0.250
14MPHR	1/2" x 3/8"	1.500	0.375
14MPHR	1/2" x 1/2"	1.500	0.500
14MPHR	1/2" x 3/4"	1.500	0.750
14MPHR	3/4" x 1/8"	1.500	0.125
14MPHR	3/4" x 1/4"	1.500	0.250
14MPHR	3/4" x 3/8"	1.500	0.375
14MPHR	3/4" x 1/2"	1.500	0.500
14MPHR	3/4" x 3/4"	1.500	0.750
14MPHR	1" x 1"	1.688	1.000
14MPHR	1" x 3/8"	1.500	0.375
14MPHR	1" x 1/2"	1.500	0.500
14MPHR	1" x 3/4"	1.688	0.750
14MPHR	1.5" x 1/8"	1.500	0.125
14MPHR	1.5" x 1/4"	1.500	0.250
14MPHR	1.5" x 3/8"	1.500	0.375
14MPHR	1.5" x 1/2"	1.500	0.500
14MPHR	1.5" x 3/4"	1.500	0.750
14MPHR	1.5" x 1"	1.688	1.000
14MPHR	1.5" x 1.5"	1.688	1.500
14MPHR	2" x 1.5"	2.312	1.500
14MPHR	2" x 2"	2.313	2.000
14MPHR	2.5" x 2.5"	2.344	2.500
14MPHR	3" x 3"	3.094	3.000
14MPHR	4" x 4"	3.406	4.000
14MPHR	6" x 6"	3.406	6.000
14MPHR	8" x 8"	3.406	

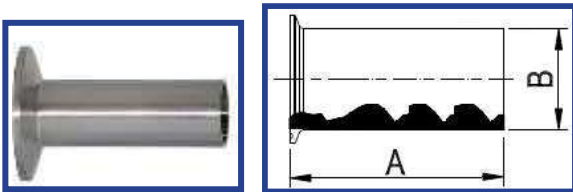
HYGIENIC ADAPTORS CLAMP/ BEVEL

14MPHRL - LONG CLAMP HOSE BARB ADAPTORS

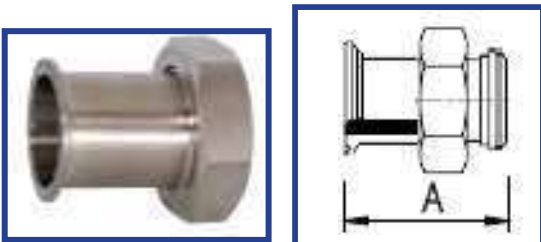


PART NO.	SIZE	A (INCH)	B (INCH)
14MPHRL	1"	3.500	1.045
14MPHRL	1 1/2"	5.000	1.545
14MPHRL	2"	5.000	2.045
14MPHRL	2 1/2"	5.500	2.545
14MPHRL	3"	5.500	3.045
14MPHRL	4"	5.500	4.045

14MPHT – CLAMP TYGON HOSE ADAPTORS

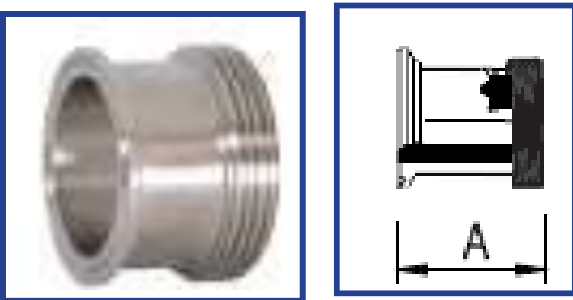


PART NO.	SIZE	A (INCH)	B (INCH)
14MPHT	1/2"	4.000	0.500
14MPHT	1"	4.000	0.750
14MPHT	1"	4.500	1.000
14MPHT	1.5"	4.500	1.500
14MPHT	2"	4.500	2.000
14MPHT	2 1/2"	4.500	2.500
14MPHT	3"	4.500	3.000
14MPHT	4"	4.625	4.000
14MPHT	6"	6.000	6.000



17MP - 14- CLAMP x BEVEL SEAT C/W NUT

PART NO.	SIZE	A (INCH)
17MP-14	1"	3.000
17MP-14	1 1/2"	3.000
17MP-14	2"	3.000
17MP-14	2 1/2"	3.500
17MP-14	3"	3.750
17MP-14	4"	4.000



17MP-15 - CLAMP x THREAD BEVEL FERRULE ADAPTER

PART NO.	SIZE	A (INCH)
17MP-14	1"	1.813
17MP-14	1 1/2"	1.844
17MP-14	2"	1.875
17MP-14	2 1/2"	1.969
17MP-14	3"	2.062
17MP-14	4"	2.344