



About our Pipe Hangers:

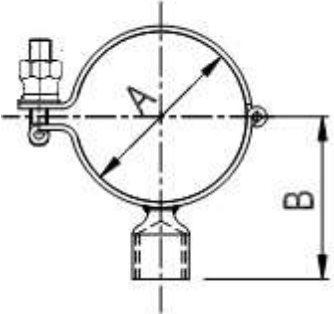
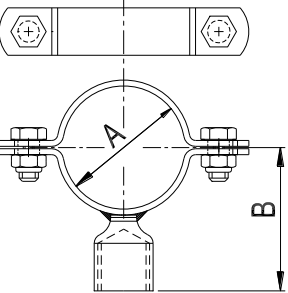
A Comprehensive Range of Pipe Hangers are available –
Round Saddle Anti-Vibration Hangers - These hangers are supplied with a blue plastic insert. These Pipe Hangers are designed to fit INCH OD, Nominal Bore and DIN size tubes. They are supplied with 12mm tube stem or M10 boss.

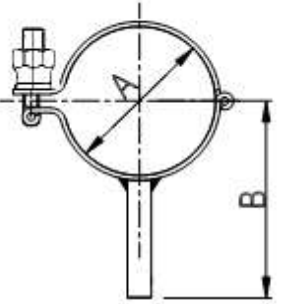
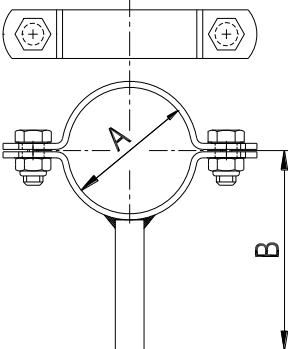
Round Hinged Hangers - to fit standard Inch Size OD tube – ½” – 6”.
These incorporate a Knurl Nut for quick assembly and are available with ½” BSP socket or 12 X 60 bar.

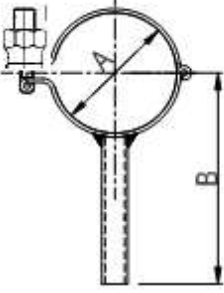
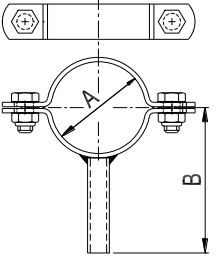
Round Saddle Hangers - to fit to fit 1/2" - 6" OD imperial tube & 1/2" - 6" Nominal bore pipe These are supplied with screws and Nyloc nuts for ease of assembly and to prevent against loosening due to vibration in the pipe work and are available with ½” BSP socket or 12 X 60 bar.

Off Standard - Additionally, off standard attachments can be Supplied to customers drawings.

Note :- Users and Specifiers should consult the Relevant standard for detailed information before selection. All subject to errors and omissions.

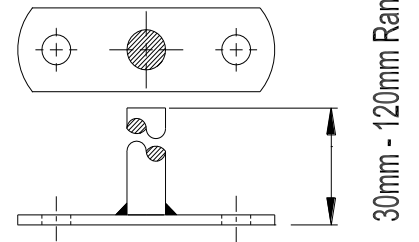
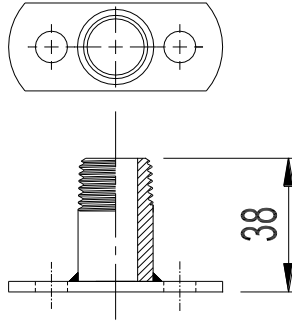
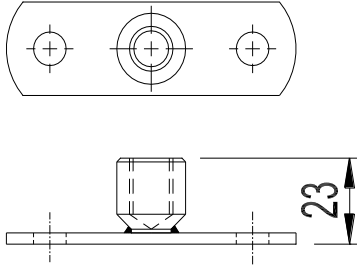
TH-5BBSP CLIP Round Hinged Hanger c/w ½" BSP ROUND SOCKET 304			TH-5C CLIP Round Saddle Hanger c/w ½" BSP ROUND SOCKET 304				
SIZE TUBE O.D.	A mm	B mm	½" & ¾" PIPE SIZES USE 1" CLIP WITH INSERT. Inserts available for tube up to 4" O.D.	SIZE TUBE O.D.	A mm	B mm	½" & ¾" PIPE SIZES USE 1" CLIP WITH INSERT. Inserts for tube up to 4" O.D. (M8 Nyloc nut Optional) (Note:- 5" & 6" have M10 Nut)
½"	12.7	40.0		½"	12.7	40.0	
¾"	19.0	40.0					
1"	25.4	40.0					
1½"	38.1	46.5					
2"	50.8	53.0					
2½"	63.5	59.5					
3"	76.2	66.0					
3 ½"	88.9	72.0					
4"	101.6	78.5					
4 ½"	114.3	85.0					

TH-5BB CLIP Round Hinged Hanger c/w Ø12 x60mm Long Bar. (optional rod lengths available) 304			TH-5AB CLIP Round Saddle Hanger c/w Ø12 x60mm Long Bar. (optional rod lengths available) 304				
SIZE TUBE O.D.	A mm	B mm	½" & ¾" PIPE SIZES USE 1" CLIP WITH INSERT. Inserts available for tube up to 4" O.D.	SIZE TUBE O.D.	A mm	B mm	½" & ¾" PIPE SIZES USE 1" CLIP WITH INSERT. Inserts for tube up to 4" O.D. (M8 Nyloc nut Optional) (Note:- 5" & 6" have M10 Nut)
½"	12.7	75.5		½"	12.7	75.5	
¾"	19.0	75.5					
1"	25.4	75.5					
1½"	38.1	82.0					
2"	50.8	88.0					
2½"	63.5	94.5					
3"	76.2	101.0					
3 ½"	88.9	107.0					
4"	101.6	113.5					
4 ½"	114.3	120.0					

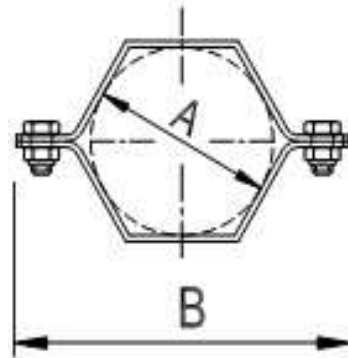
TH-5BT CLIP Round Hinged Hanger c/w Ø12 Tube. 304			TH-5AT CLIP Round Saddle Hanger c/w Ø12 Tube. 304				
SIZE TUBE O.D.	A mm	B mm	½" & ¾" PIPE SIZES USE 1" CLIP WITH INSERT. Inserts available up to 4" O.D.	SIZE TUBE O.D.	A mm	B mm	½" & ¾" PIPE SIZES USE 1" CLIP WITH INSERT. Inserts for tube up to 4" O.D. (M8 Nyloc nut Optional) (Note:- 5" & 6" have M10 Nut)
½"	12.7	90.0		½"	12.7	90.0	
¾"	19.0	90.0					
1"	25.4	90.0					
1½"	38.1	90.0					
2"	50.8	90.0					
2½"	63.5	90.0					
3"	76.2	90.0					
3 ½"	88.9	90.0					
4"	101.6	90.0					
4 ½"	114.3	90.0					

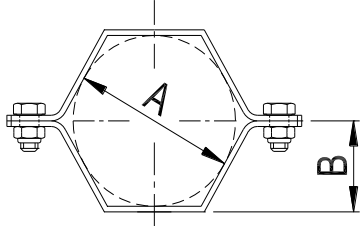
OPTIONAL WALL/CEILING MOUNTING PLATES WITH BOLT HOLES
304

26-1 PLATE WITH M12 SOCKET
 26-2 PLATE WITH ½" BSP Nipple
 26-3 PLATE WITH Ø12 ROD

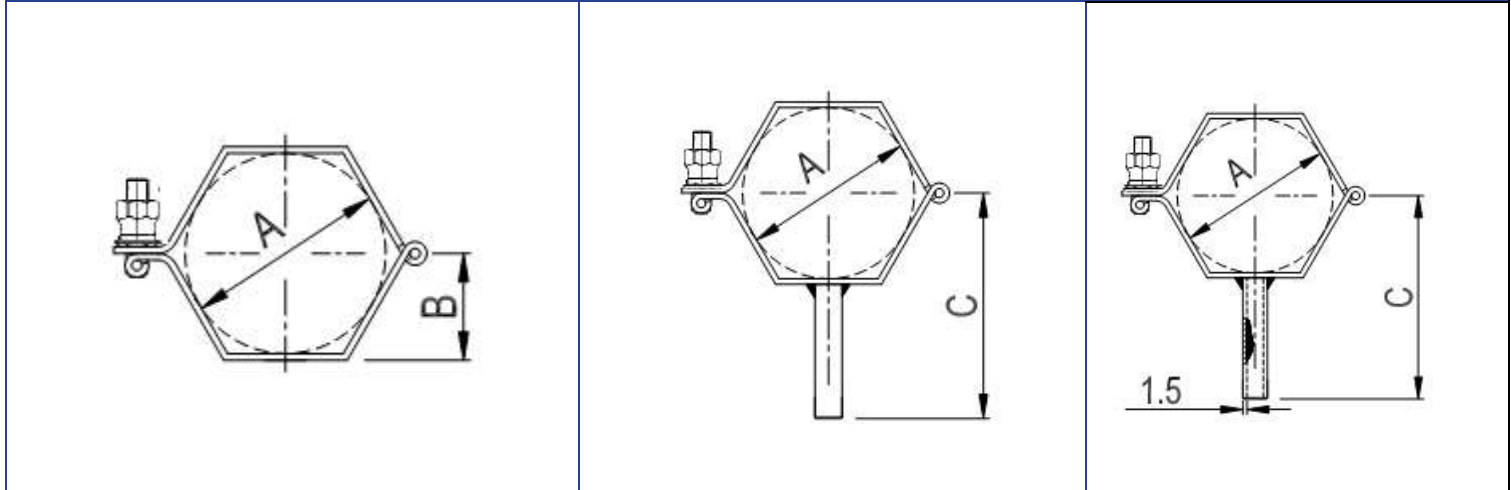

TH-2 ISO HEX HANGER

SIZE TUBE O.D.	A mm	B mm
ISO-21.3	21.3	68.0
ISO-26.9	26.9	74.0
ISO-33.7	33.7	82.0
ISO-42.2	42.2	93.0
ISO-48.3	48.3	101.0
ISO-60.3	60.3	114.0
ISO-88.9	88.9	149.0
ISO-114.3	114.3	177.0

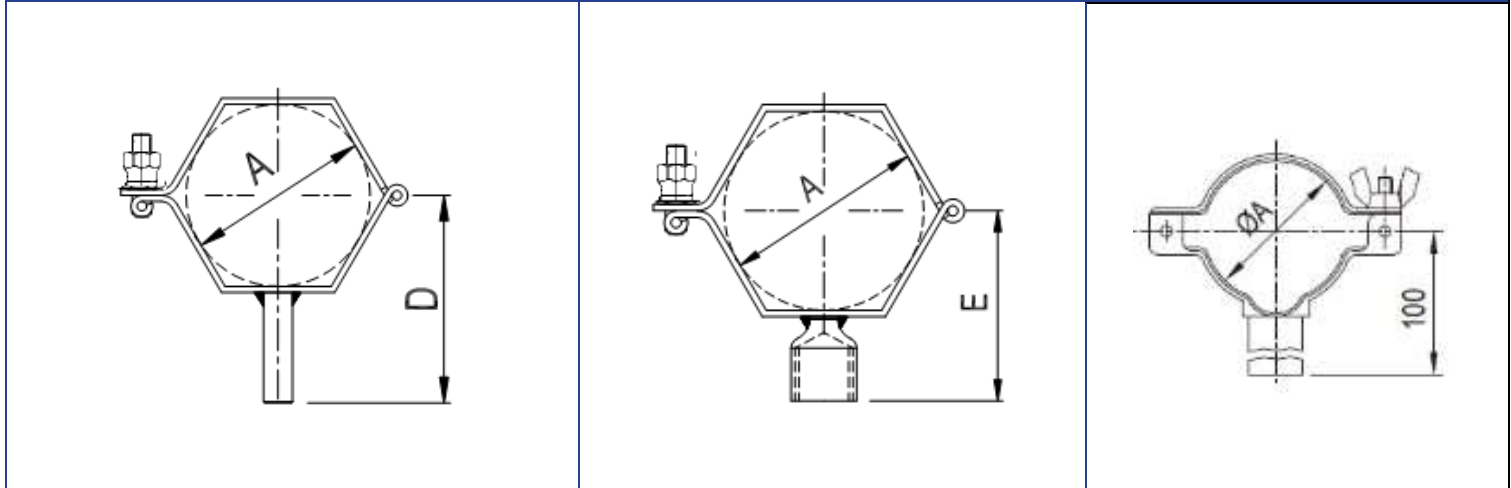


TH-1, TH-2, TH3-A,B,C						TH-2 Saddle Hex. Hanger With No Attachment
HINGED HEX PIPE CLIPS						304
SIZE TUBE O.D.	A mm	B mm	C mm	D mm	E mm	
25mm	25.0	15.0	100	75.0	46.5	
38mm	38.0	21.5	100	81.5	52.5	
51mm	51.0	28.0	100	88.0	58.0	
63.5mm	63.5	34.5	100	94.5	64.0	
76mm	76.0	40.5	100	100.5	70.0	
101.6mm	101.6	53.5	100	113.5	83.0	
104mm	104.0	54.5	100	114.5	84.5	

TH-3A - Hinged Hex. Hangers With No Attachment	TH-3CB - Hinged Hex. Hangers (25mm-38mm = \varnothing 10 bar) (51mm-76mm = \varnothing 12 bar) (101.6mm-104mm = \varnothing 14 bar)	TH-3CT - Hinged Hex. Hangers WITH \varnothing 12 x 1.5 Wt. TUBE
---	--	---

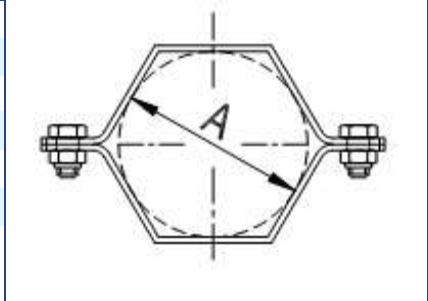


TH-3CB1 Hinged Hex. Hangers WITH \varnothing 12 x 60 BAR (Other Bar Lengths Available)	TH-3B - Hinged Hex. Hangers WITH $\frac{1}{2}$ " Or $\frac{3}{4}$ " BSP SOCKET	TH-1 - Tube Hangers WITH TUBE ATTACHMENT
--	---	---



TH-3 A,B,C HINGED HEX PIPE CLIPS						304	TH-2 - 2 Piece Saddle Hex. Hanger With No Attachment
SIZE	A	C	D	E	F		
TUBE O.D.	mm	mm	mm	mm	mm		

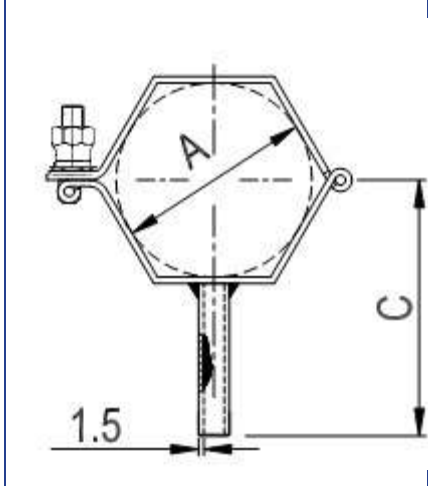
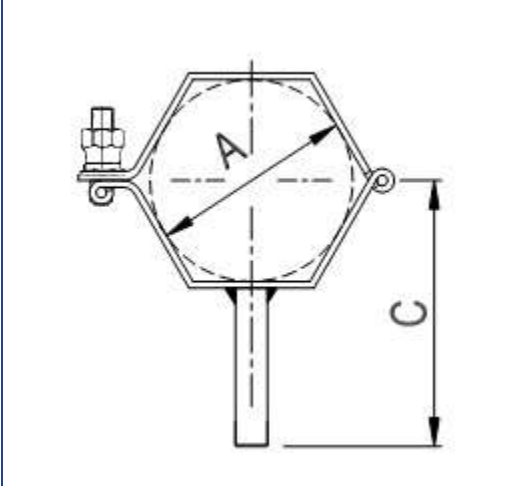
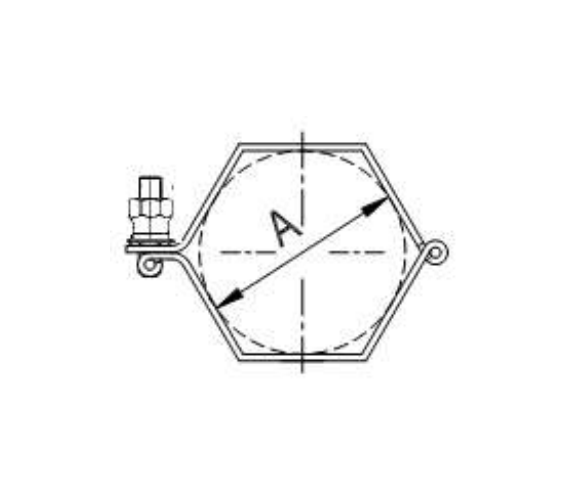
DIN25	28.0	100	75.0	46.5	35.5		
DIN32	34.0	100	81.5	50.0	42.0		
DIN40	40.0	100	88.0	53.0	48.0		
DIN50	52.0	100	94.5	59.0	54.5		
DIN65	70.0	100	100.5	68.0	61.0		
DIN80	85.0	100	113.5	75.0	73.5		
DIN100	101.6	100	114.5	83.0	74.5		



TH-3A - Hinged Hex. Hangers
With No Attachment

TH-3CB - Hinged Hex. Hangers
(25mm-38mm = Ø 10 bar)
(51mm-76mm = Ø 12 bar)
(101.6mm-104mm = Ø 14 bar)

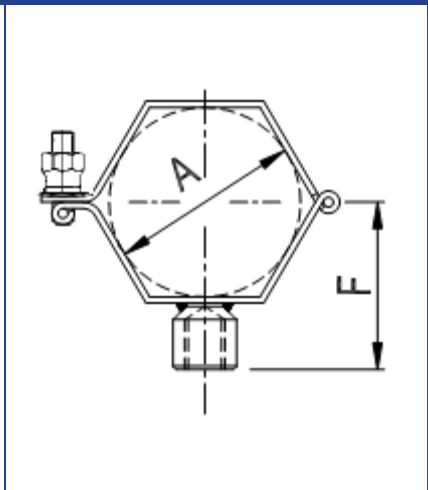
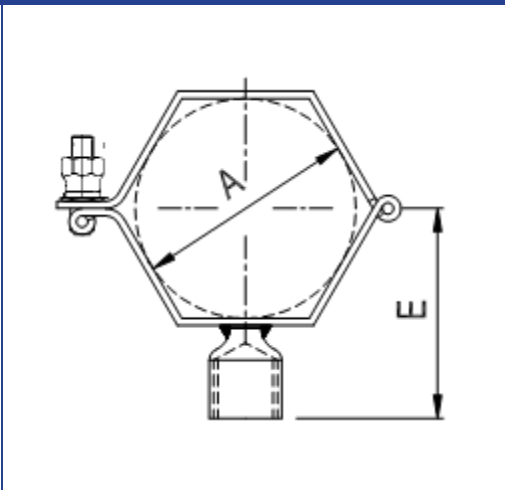
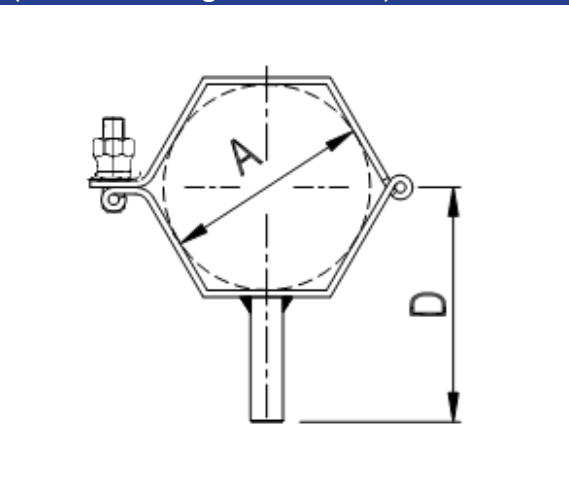
TH-3CT - Hinged Hex. Hangers
WITH Ø12 x 1.5 Wt. TUBE

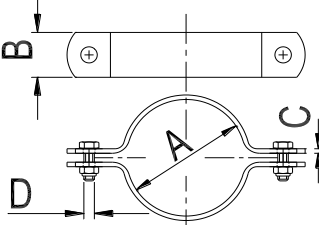
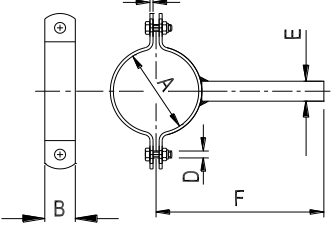
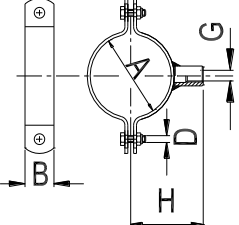


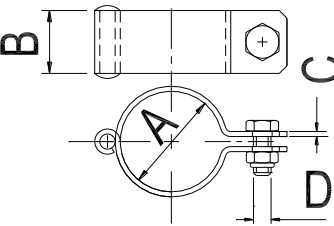
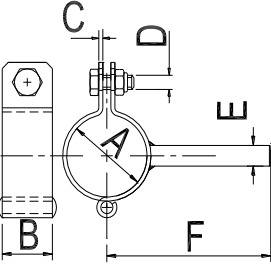
TH-3CB1 Hinged Hex. Hangers
WITH Ø12 x 60 BAR
(Other Bar Lengths Available)

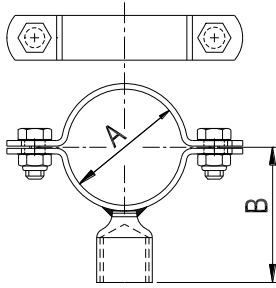
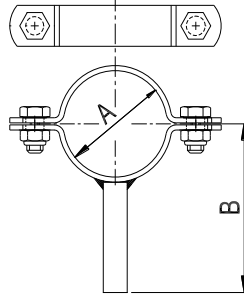
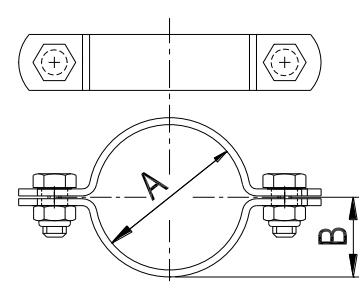
TH-3B - Hinged Hex. Hangers
WITH ½" Or ¾" BSP SOCKET

TH-3M12 - Hinged Hex. Hangers
WITH M12 SOCKET

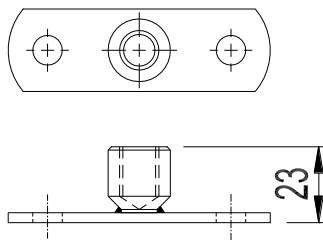
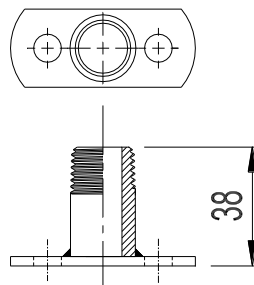
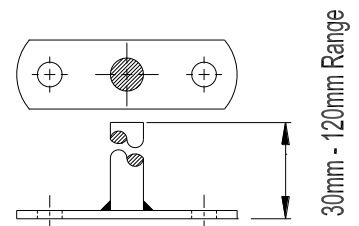


TH-5 DIN - 2 Piece Round Saddle Hangers						304		
TH-50 DIN		TH-5B DIN		TH-5S DIN				
NO ATTACHMENT		BAR ATTACHMENT		SOCKET ATTACHMENT				
								
DN SIZE	A mm	B mm	C mm	D mm	E mm	F mm	G mm	H mm
10	12	20	2.5	M6	6	64	M6	23
15	18	20	2.5	M6	8	67	M6	26
20	23	20	2.5	M6	8	69	M6	28
25	28	20	3	M6	8	72	M6	31
32	34	20	3	M6	10	75	M6	34
40	40	20	3	M6	10	78	M8	40
50	52	20	3	M6	12	84	M8	46
65	70	25	5	M8	12	83	M10	55
80	85	25	5	M8	15	100	M10	65
100	104	25	5	M8	15	110	M12	75
125	129	30	5	M10	18	140	M12	88
150	154	30	5	M10	18	180	M12	100
200	204	30	5	M10	16	240	M12	125

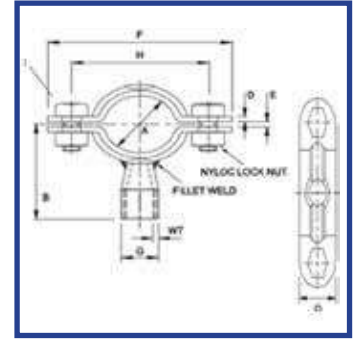
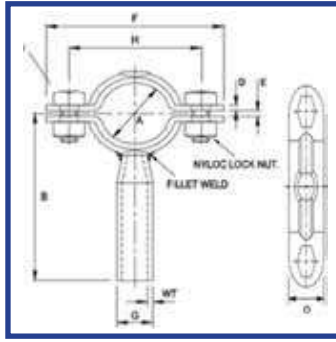
DIN TH-5 - Round Hinged Hangers						304	
TH-501 DIN CLIP NO ATTACHMENT			TH-5B1 DIN CLIP BAR ATTACHMENT				
							
DN SIZE	A mm	B mm	C mm	D mm	E mm	F mm	
20	22	25	2	M8	11	113	
25	28	25	2	M8	11	116	
32	34	25	2	M8	11	119	
40	40	25	2	M8	11	122	
50	52	30	3	M10	12	129	
65	70	30	3	M10	12	138	
80	85	30	3	M10	15	146	
100	104	30	3	M10	15	155	

NB TH5 CLIP Round Saddle Hanger For Nominal Bore Pipe.
NB TH-5C

NB TH-5A

NB TH-5O

WELD ATTACHMENTS
½" BSP Socket
(Ø- 8,10,12,14,16) Bar
No Attachment

SIZE TUBE NB	A mm	B mm	SIZE TUBE NB	A mm	B mm	SIZE TUBE NB	A mm	B mm
¼"	13.72	34.0	¼"	13.72	90.0	¼"	13.72	9.0
⅜"	17.15	35.5	⅜"	17.15	90.0	⅜"	17.15	10.6
½"	21.34	38.0	½"	21.34	90.0	½"	21.34	12.7
¾"	26.67	40.5	¾"	26.67	90.0	¾"	26.67	15.9
1"	33.40	44.0	1"	33.40	90.0	1"	33.40	19.2
1¼"	42.16	48.5	1¼"	42.16	90.0	1¼"	42.16	23.6
1½"	48.26	52.0	1½"	48.26	90.0	1½"	48.26	26.7
2"	60.33	58.0	2"	60.33	90.0	2"	60.33	32.7
2½"	73.03	64.0	2½"	73.03	90.0	2½"	73.03	39.0
3"	88.90	72.0	3"	88.90	90.0	3"	88.90	47.0
3½"	101.6	78.5	3½"	101.6	90.0	3½"	101.6	53.3
4"	114.3	85.0	4"	114.3	90.0	4"	114.3	59.7
5"	141.3	99.0	5"	141.3	120.0	5"	141.3	73.7
6"	168.3	112.0	6"	168.3	120.0	6"	168.3	87.2
8"	219.1	137.5	8"	219.1	150.0	8"	219.1	112.6

OPTIONAL WALL/CEILING MOUNTING PLATES WITH BOLT HOLES
304
26-1
PLATE WITH M12 SOCKET

26-2
PLATE WITH ½" BSP Nipple

26-3
PLATE WITH Ø12 ROD


ANTI-VIBRATION PIPE CLIP C/W 12MM TUBE STEAM ANTI-VIBRATION PIPE CLIP C/W M10 BOSSSED STEAM



PART NO.	SIZE O.D.	SIZE NOMIAL BORE	SIZE DIN	A (MM)	TUBE STEM B (MM)	BOSSSED STEM B (MM)	D	E	TUBE STEM G-WT	BOSSSED STEM G-WT	I
TH-6	½"	-	DN10	12.70	90	28	3.00	3.00	19.30 / 1.6.	24.5	M8
TH-6	¾"	-	DN15	19.05	90	28	3.00	3.00	19.30 / 1.6.	24.5	M8
TH-6	1"	¾" NB	DN20	25.40	90	28	3.00	3.00	19.30 / 1.6.	24.5	M8
TH-6	1 ¼"	1" NB	DN30	31.80	90	28	3.00	3.00	19.30 / 1.6.	24.5	M8
TH-6	1½"	-	-	43.00	90	28	3.00	3.00	19.30 / 1.6.	24.5	M8
TH-6	1 ¾"	1 ¼" NB	DN40	47.00	90	28	3.00	3.00	19.30 / 1.6.	24.5	M8
TH-6	2"	1 ½" NB	DN50	50.80	90	28	3.00	3.00	19.30 / 1.6.	24.5	M8
TH-6	2½"	2" NB	DN60	63.50	90	28	3.00	3.00	19.30 / 1.6.	24.5	M8
TH-6	-	-	DN65	-	90	28	3.00	3.00	19.30 / 1.6.	24.5	M8
TH-6	3"	2 ½" NB	-	76.20	90	28	3.00	3.00	19.30 / 1.6.	24.5	M8
TH-6	3 ½"	3" NB	-	-	90	28	3.00	3.00	19.30 / 1.6.	25.5	M8
TH-6	4"	-	DN100	101.60	90	28	3.00	3.00	19.30 / 1.6.	24.5	M8
TH-6	-	4" NB	-	120.00	90	28	3.00	3.00	19.30 / 1.6.	24.5	M8
TH-6	5"	-	-	129.00	130	28	3.00	3.00	19.30 / 1.6.	24.5	M8
TH-6	6"	-	-	154.00	140	28	3.00	3.00	19.30 / 1.6.	24.5	M8
TH-6	-	6" NB	-	168.28	150	28	3.00	3.00	19.30 / 1.6.	24.5	M8
TH-6	8"	-	DN200	204.00	160	28	3.00	3.00	19.30 / 1.6.	24.5	M8
TH-6	10"	-	DN250	254.00	180	28	3.00	3.00	19.30 / 1.6.	24.5	M8
TH-6	12"	-	DN300	304.00	190	28	3.00	3.00	19.30 / 1.6.	24.5	M8

LARGE RANGE OF CONNECTIONS AVAILIABLE ON REQUEST