

## ***About our Hygienic Tube***

Zenith Stainless Solutions offers a full range of hygienic tubes according to US 3A ASTM A270, EN 10357/EN 10217- 7 (formally DIN 11850), and in 304 & 316L stainless steel. Typical finishes include: polished OD and unpolished ID, polished OD and polished ID and unpolished OD and ID is also available. Polished tube is supplied in plastic sleeves with capped ends to protect the tube and the OD finish. We supply un-annealed tube and annealed tube. Tubes have a smooth clean and crevice free bore.

Zenith Stainless Solutions also offers ASME BPE Hygienic Tube ASME BPE A270 S2 in SF1 and SF4 for use in high purity Pharmaceutical applications such as Water-For-Injection (WFI), Clean Steam, Ultra filtration, Skids etc.

### **Technical Information:**

- Diameters: BS-US - 1/2" OD – 8" OD and DN 10-DN150.SMS 25MM-104MM - and ISO 2037- 12.7MM - 219.10MM
- Supplied in 6 meter lengths.
- OD Finish: Brushed Polished OD/Unpolished ID. Polished OD and ID. Unpolished OD/ID (Descaled)
- Materials: Available in AISI 304 (1.4301) and 316L (1.4404) stainless steel.
- Surface Finish: <0.80 Ra ID and <1.6 Ra on the internal weld bead, according to EN10357
- Specifications: EN10357/EN 10217-7, US 3A ASTM A270, ASME BPE A270 S2.
- Technical terms and conditions of delivery comply with EN10217-7
- Test Class according to EN10217-7
- Auto Laser Weld Inspection during production.

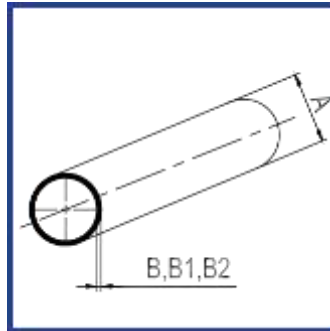
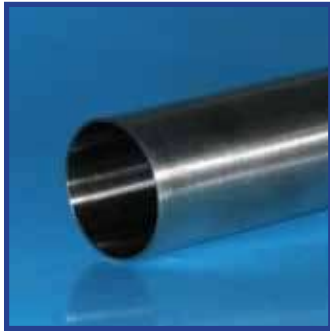
### **Special Features:**

- Full material traceability is guaranteed during the manufacturing process.
- Polished tube is supplied in individual plastic sleeves with capped ends ensuring optimum cleanliness.
- Internal Bore: Tubes have a smooth, clean and crevice free bore.
- Certification: All Tube can be supplied with EN 10204 3.1 certification upon request
- Market leading quality products.

***Larger tube diameters can be supplied on request up to 24" diameter***

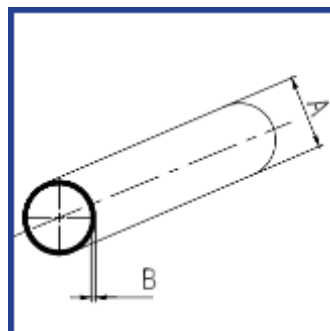
# HYGIENIC WELDED AUSTENITIC STAINLESS TUBE

## EN 10357 (DIN 11850) TUBE 304,304L,316,316L



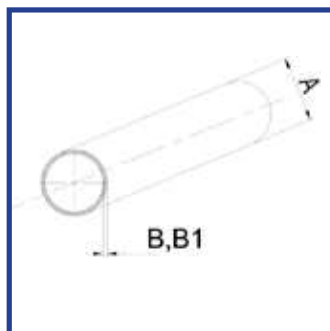
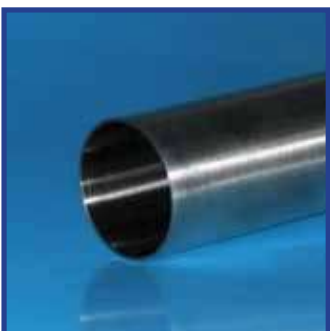
PART NO.	SIZE	A (MM)	B (MM)	B1 (MM)	B2 (MM)
EN10357	1/2"	12.7	1.65	-	-
EN10357	3/4"	19.0	1.65	-	-
EN10357	1"	25.4	1.65	1.25	1.5
EN10357	1 1/2"	38.1	1.65	1.25	1.5
EN10357	2"	50.8	1.65	1.25	1.5
EN10357	2 1/2"	63.5	1.65	1.5	1.5
EN10357	3"	76.2	1.65	1.6	1.6
EN10357	4"	101.6	2.11	1.5	2.0
EN10357	5"	129.00	2.00	-	-
EN10357	6"	154.00	1.50	2.00	2.00
EN10357	8"	204.00	2.00	-	-

## 3A A270 TUBE & A270 S2 316L BPE TUBE



PART NO.	SIZE	A (INS)	A (MM)	B (MM)	B (MM)
A270	1/2"	12.7	1.65	0.065"	1.65
A270	3/4"	19.0	1.65	0.065"	1.65
A270	1"	1.0"	25.4	0.065"	1.65
A270	1 1/2"	1.5"	38.1	0.065"	1.65
A270	2"	2.0"	50.8	0.065"	1.65
A270	2 1/2"	2.5"	63.5	0.065"	1.65
A270	3"	3.0"	76.2	0.065"	1.65
A270	4"	4.0"	101.6	0.083"	2.11
A270	6"	6.0"	152.4	0.109"	2.77

## EN 10357 TUBE DIN 11850



PART NO.	SIZE	A (MM)	B (MM)	B1 (MM)
EN10357	DN25	28.00	1.00	1.50
EN10357	DN32	34.00	1.00	1.50
EN10357	DN40	40.00	1.00	1.50
EN10357	DN50	52.00	1.00	1.50
EN10357	DN65	70.00	2.00	2.00
EN10357	DN80	85.00	2.00	2.00
EN10357	DN100	104.00	2.00	2.00