

Zenith offer a very comprehensive range of Tank Manways. Manways are an integral part of tanks and vessels. Zenith manways are manufactured with the highest quality materials and using the most modern manufacturing processes. We can offer both Pressure and Non-Pressure manways.

- Zenith Manways are very cost effective and of the highest quality.
- Seals are available in NR – Natural Rubber, Silicone, EPDM and Viton.



Non-Pressure Round Manways (316L, 304)

Opening Direction: Manways can open from either side depending on customer's preference.
 Available size range: 200mm - 600mm

Pressure Manways (316L, 304)

Working Pressure: Up to 6 bar working pressure. Full Vacuum rated.

Available size range: Available size range: 200mm - 600mm



Oval Pressure Manways (316L, 304)

Opening Direction: Inwards, outwards and inwards/outwards opening.
 Available size range: 440mm to 540mm
 Working Pressure: - 1 bar - 5 bar



Rectangular Pressure Manways (316L, 304)

Opening Direction: Outwards and inwards opening.
 Hinged on either side according to preference.
 Available size range: 420mm to 530mm
 Working Pressure: - 0.5 bar to 2 bar

Stainless Steel Finishes: Bright Polished, Bead Blasted, Picked.

Cover Range: 2mm to 4 mm

Frame Range: 70mm to 250mm

We also supply other tank equipment such as sample valves, pressure relief valves, tank bottom valves, ball valves, gauges, DIN sight glasses.



Please contact us to discuss your requirements. Others sizes available as per customers' requirements.



ZSSBW1A



ZSSGDN1



ZSSG1A



ZSSG1B



ZSSB1C

Zenith offers hygienic stainless steel sight glasses for use on tanks, pressure vessels, separators silos etc.

The sight glasses compact design makes them ideal for inspection uses in tanks, vessels, manways and Inspection hatches.

Materials: 316L on all product contact surfaces. 304 available on request. Tempered and borosilicate glass available.

Seals: available in NR – Natural Rubber, Silicone, EPDM, FPM and Viton depending on product.

Special Features:

ZSSG1A, ZSSG1B, ZSSB1C

Standard Sizes: 80mm – 130mm
 Pressure: up to 6 bar.
 Temperature: up to 130 degrees Celsius.

ZSSBW1A Weld on Sight Glass

Standard Sizes: 80mm – 225mm
 Pressure: up to 16 bar.
 Temperature: up to 130 degrees Celsius.

ZSSGDN1

Standard Sizes: 85mm – 100mm
 Pressure: up to 6 bar.
 Temperature: up to 130 degrees Celsius.
 Optional Accessories: Wiper Enhancement, Low Voltage 24V/IP65 sight glass and light assemblies.
 Tempered and borosilicate glass view ports to DIN 8902

We also supply other tank equipment such as manways, sample valves, pressure relief valves, tank bottom valves, ball valves, gauges, DIN sight glasses.

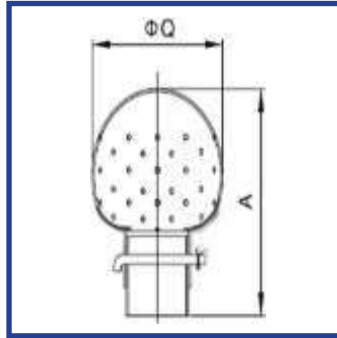
Please contact us to discuss your requirements. Others sizes available as per customers requirements.

TANK SPRAY BALL

**1" INLET, 2.1/2" BALL DIA, 360DEG SPRAY
3/32 DRILLING ST/ST 304/316**

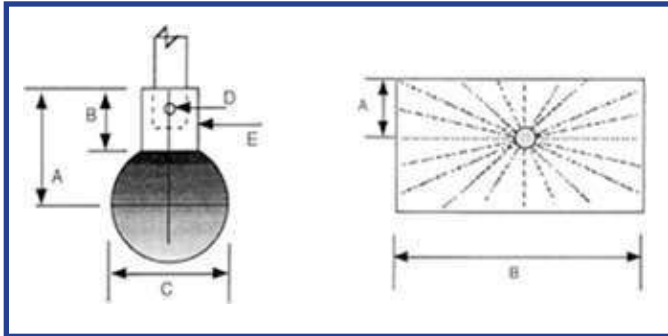
PART NO	Size	A	Q
SB1	1"	95.00	63.00
SB1	1 1/2"	110.00	76.00
SB1	2"	125.00	91.00
SB1	2 1/2"	135.00	100.00

180DEG SPRAY BALL ALSO AVAILABLE



Technical parameter

Size	Pressure	Cleaning fluxation (bar) radius(m)	360/180 m3/h
1"	2.5	1.0-1.25	42660
1 1/4"-1 1/2"	2.5	1.25-1.75	23/17
2"	3.5	2.0-3.0	55/38
2 1/2"	3.5	3.0-3.5	58/41



360 DEG ROTARY SPRAY BALL 304/316L

Size	A (MM)	B (MM)	C (MM)
3/4"	19.20	140	53.00
1"	25.70	140	53.00
1 1/2"	38.40	180	63.00

