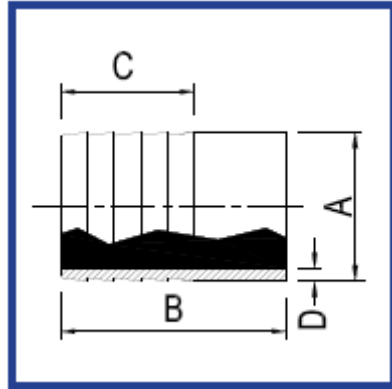
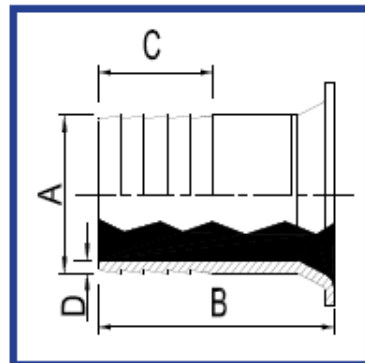


HYGIENIC HOSETAILS 16SWG 316



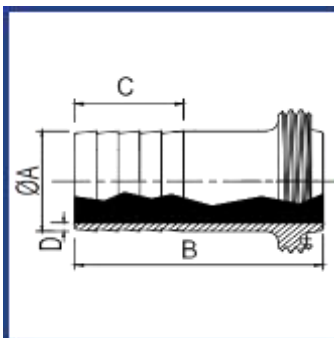
PART NO.	SIZE	A (MM)	B (MM)	C (MM)	D (MM)
HTW	1/2"	12.70	50.00	25.0	1.60
HTW	3/4"	19.05	50.00	25.00	1.60
HTW	1"	25.00	75.00	44.00	1.60
HTW	1 1/2"	38.00	75.00	44.00	1.60
HTW	2"	50.80	75.00	50.00	1.60
HTW	2 1/2"	63.50	75.00	50.00	2.00
HTW	3"	76.10	75.00	63.00	2.00
HTW	4"	101.60	100.00	63.00	2.00

HYGIENIC RJT HOSETAIL LINER 316L



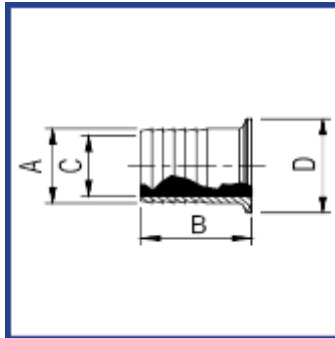
PART NO.	SIZE	A (MM)	B (MM)	C (MM)	D (MM)
HTRJTL	1"	25.00	87.00	44.00	1.60
HTRJTL	1 1/2"	38.00	87.00	44.00	1.60
HTRJTL	2"	50.80	87.00	50.00	1.60
HTRJTL	2 1/2"	63.50	87.00	50.00	2.00
HTRJTL	3"	76.10	87.00	63.00	2.00
HTRJTL	4"	101.60	112.70	63.00	2.00

HYGIENIC RJT MALE HOSETAIL 316L



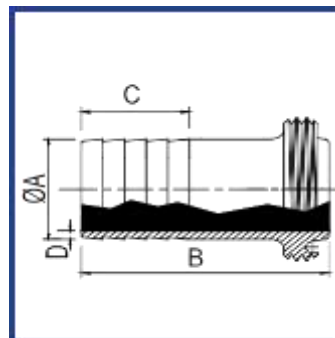
PART NO.	SIZE	A (MM)	B (MM)	C (MM)	D (MM)
HTRJTM	1"	25.0	102.00	44.00	1.60
HTRJTM	1 1/2"	38.0	102.00	44.00	1.60
HTRJTM	2"	50.8	102.00	50.00	1.60
HTRJTM	2 1/2"	63.5	102.00	50.00	1.60
HTRJTM	3"	76.1	102.00	63.00	1.60
HTRJTM	4"	101.6	127.00	63.00	2.00

HYGIENIC FERRULED HOSETAIL 316L



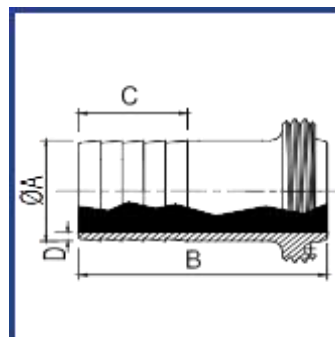
PART NO.	SIZE	A (MM)	B (MM)	C (MM)	D (MM)
HTFR	1/2"	12.70	71.50	9.40	25.40
HTFR	3/4"	19.05	71.50	15.80	25.40
HTFR	1"	25.00	96.50	22.00	50.50
HTFR	1 1/2"	38.00	96.50	35.00	50.50
HTFR	2"	50.80	96.50	48.00	64.00
HTFR	2 1/2"	63.50	96.50	59.50	77.00
HTFR	3"	76.10	96.50	72.20	91.00
HTFR	4"	101.60	121.50	97.60	119.00

HYGIENIC DIN MALE HOSETAIL 316L



PART NO.	SIZE	A (MM)	B (MM)	C (MM)	D (MM)
HTDINM	1"	25.00	104.00	44.00	1.60
HTDINM	1 1/2"	38.00	108.00	44.00	1.60
HTDINM	2"	50.80	110.00	50.00	1.60
HTDINM	2 1/2"	63.50	115.00	50.00	2.00
HTDINM	3"	76.10	120.00	63.00	2.00
HTDINM	4"	101.60	154.00	63.00	2.00

HYGIENIC SMS MALE HOSETAIL 316L



PART NO.	SIZE	A (MM)	B (MM)	C (MM)	D (MM)
HTSMSM	1"	25.0	94.00	44.00	1.60
HTSMSM	1 1/2"	38.0	98.00	44.00	1.60
HTSMSM	2"	50.8	98.00	50.00	1.60
HTSMSM	2 1/2"	63.5	102.00	50.00	1.60
HTSMSM	3"	76.1	102.00	63.00	1.60
HTSMSM	4"	101.6	130.00	63.00	2.00

INTERLOCK HOSE FITTING



Swage Ferrule Size	HOSE RANGE
1/2"	19.5mm-22.2mm
3/4"	29mm-32mm
1"	34mm-40mm
1 1/2"	49mm-58mm
2"	62mm-73mm
2 1/2"	74.5mm-94mm
3"	89mm-104mm
4"	116mm-123mm

Zenith Stainless Solutions offers the most cost effective/professional solution for all your interlock hose fitting requirements. Through our knowledge and experience the team at Zenith can manufacture a solution for you.

Zenith offers a full range of Hygienic Interlock hose stems and swage ferrules according to customers' requirements for use with all hygienic hoses. All fittings are manufactured using fully traceable Stainless Steel materials.

Benefits of using Zenith Hygienic Hose Fittings:

Special Features:

Our hose fittings allows the ferrule and stem to seal the hose at precision points of contact with the hose ID/ OD preventing any bug/bacterial growth areas.

Radial Swaging/Crimping:

The interlock ferrules are manufactured to allow full radial crimping of hygienic hoses. Our swaging ferrules and our interlock stems ensures the most hygienic hose connections in the industry. .

Health and Safety:

Our ferrules are manufactured to allow for the optimal ferrule reduction on the hose completing full interlock with the hose stem ensuring highest safety of your hose assembly.

Quality and Traceability:

All our fittings are fully traceable to EN 10204 3.1 norms. Our hose fittings meet the most stringent requirements of the Food, Dairy, Brewing, Cosmetics and Biopharmaceutical industries.

End Connections:

We can offer our interlock hose stems complete with the following end connections – TRICLAMP, RJT, SMS, IDF, DIN, WELD, and in-house CUSTOM FABRICATIONS as per your requirements.

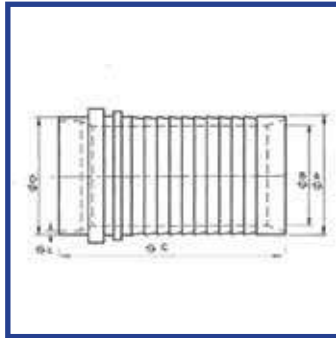
Swage Ferrules are manufactured using 304 material and stems are manufactured with 316L material.

We manufacture parts according to our customer's drawings and sketches.

We welcome the opportunity to quote for the most cost effective hose fitting solution available today.

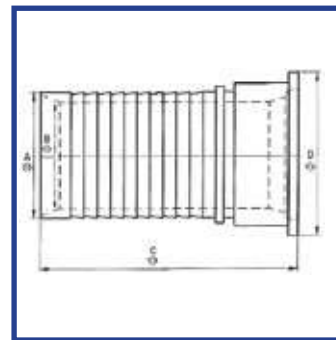
INTERLOCK HOSE FITTING

WELD END INTERLOCKING TAILS



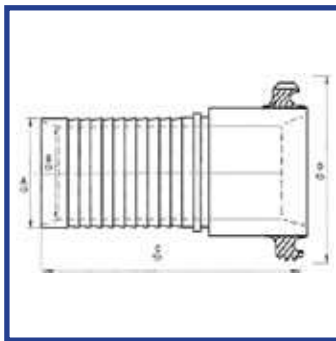
SIZE	A (MM)	B (MM)	C (MM)	D (MM)	E (MM)
1/2"	12.70	9.5	43.00	12.70	1.60
3/4"	19.05	14.00	49.00	19.05	1.60
1"	25.40	18.60	57.00	25.40	1.60
1 1/2"	38.10	31.40	76.00	38.10	1.60
2"	50.80	43.80	92.00	50.80	1.60
2 1/2"	63.50	55.80	101.00	63.50	1.60
3"	76.20	66.60	110.00	76.20	1.60
4"	101.60	91.80	118.00	101.60	2.00

RJT FEMALE END INTERLOCKING TAILS



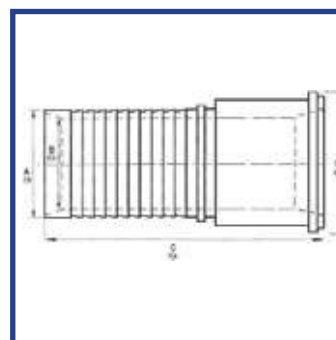
SIZE	A (MM)	B (MM)	C (MM)	D (MM)
1"	25.40	18.60	73.00	41.40
1 1/2"	38.10	31.40	90.00	54.00
2"	50.80	43.80	107.00	66.60
2 1/2"	63.50	55.80	110.00	79.20
3"	76.20	66.60	116.00	92.10
4"	101.60	91.80	124.00	117.50

RJT MALE END INTERLOCKING TAILS



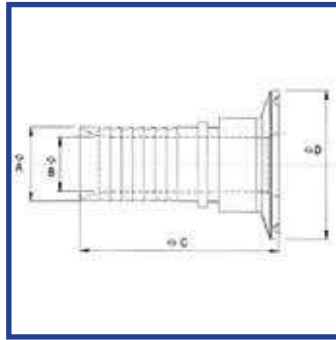
SIZE	A (MM)	B (MM)	C (MM)	D (MM)
1"	25.40	18.60	78.00	45.70
1 1/2"	38.10	31.40	95.00	58.40
2"	50.80	43.80	112.00	72.70
2 1/2"	63.50	55.80	116.00	85.40
3"	76.20	66.60	122.00	98.10
4"	101.60	91.80	126.00	123.50

IDF FEMALE END INTERLOCKING TAILS



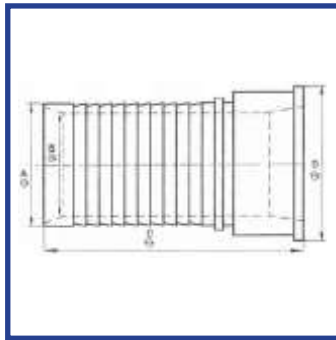
SIZE	A (MM)	B (MM)	C (MM)	D (MM)
1"	25.4	18.6	83	33.8
1 1/2"	38.1	31.4	100	47
2"	50.8	43.8	117	60.5
2 1/2"	63.5	55.8	119	74
3"	76.2	66.6	125	87.5
4"	101.6	91.8	132	114.1

TRI CLAMP END INTERLOCKING TAILS



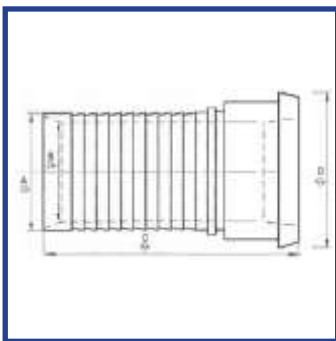
SIZE	A (MM)	B (MM)	C (MM)	D (MM)
½"	12.70	9.50	52.00	25.40
¾"	19.05	14.00	56.00	25.40
1"	25.40	18.60	68.00	50.80
1 1/2"	38.10	31.40	90.00	50.80
2"	50.80	43.80	105.00	64.00
2 1/2"	63.50	55.80	112.00	77.50
3"	76.20	66.60	122.00	91.00
4"	101.60	91.80	119.00	119.00

SMS FEMALE END INTERLOCKING TAILS



SIZE	A (MM)	B (MM)	C (MM)	D (MM)
1"	25.40	18.60	69.00	35.50
1 1/2"	38.10	31.40	91.00	55.00
2"	50.80	43.80	111.00	65.00
2 1/2"	63.50	55.80	115.00	80.00
3"	76.20	66.60	118.00	93.00
4"	101.60	91.80	130.00	118.00

DIN FEMALE END INTERLOCKING TAILS



SIZE	A (MM)	B (MM)	C (MM)	D (MM)
1"	25.40	18.60	79.00	44.00
1 1/2"	38.10	31.40	96.00	56.00
2"	50.80	43.80	115.00	68.00
2 1/2"	63.50	55.80	121.00	86.00
3"	76.20	66.60	133.00	100.00
4"	101.60	91.80	143.00	121.00

Zenith can supply Stainless Steel Camlock couplings which are widely used in the hygienic process industries and in highly corrosive applications. Zenith stainless steel Camlocks are manufactured with the highest quality 316 (CF8M) material.

Size: 3/8" – 6" (DN6 – DN 150).

Material: Stainless steel 316. Other materials also available.

Types: A, B, C, D, E, F, DC, DP, AF, DF.

Cam Levers: Stainless Steel cam levers or brass cam levers.

Working Pressure: < 250 psi/17 bar

Temperature Range: -150°F to +500°F (-101°C to +260°C)

Pins, Rings, Safety clips: NBR, EPDM, Viton, PTFE envelope gasket, other materials are available on request.

Threads: NPT, BSP

TYPE: A ADAPTOR FEMALE



PART NO.	SIZE INCH	MM
CAMTA	1/2"	15
CAMTA	3/4"	20
CAMTA	1	25
CAMTA	1-1/4"	32
CAMTA	1-1/2"	40
CAMTA	2"	50
CAMTA	2-1/2"	65
CAMTA	3"	80
CAMTA	4	100
CAMTA	6	150

TYPE: B COUPLER MALE



PART NO.	SIZE INCH	MM
CAMTB	1/2"	15
CAMTB	3/4"	20
CAMTB	1	25
CAMTB	1-1/4"	32
CAMTB	1-1/2"	40
CAMTB	2"	50
CAMTB	2-1/2"	65
CAMTB	3"	80
CAMTB	4	100
CAMTB	6	150

TYPE: C COUPLER HOSE SHANK



PART NO.	SIZE INCH	MM
CAMTC	1/2"	15
CAMTC	3/4"	20
CAMTC	1	25
CAMTC	1-1/4"	32
CAMTC	1-1/2"	40
CAMTC	2"	50
CAMTC	2-1/2"	65
CAMTC	3"	80
CAMTC	4	100
CAMTC	6	150

TYPE: D COUPLER FEMALE



PART NO.	SIZE INCH	MM
CAMTD	1/2"	15
CAMTD	3/4"	20
CAMTD	1	25
CAMTD	1-1/4"	32
CAMTD	1-1/2"	40
CAMTD	2"	50
CAMTD	2-1/2"	65
CAMTD	3"	80
CAMTD	4	100

CAMLOCK COUPLINGS

TYPE: E ADAPTOR HOSE SHANK



PART NO.	SIZE INCH	MM
CAMTE	1/2"	15
CAMTE	3/4"	20
CAMTE	1	25
CAMTE	1-1/4"	32
CAMTE	1-1/2"	40
CAMTE	2"	50
CAMTE	2-1/2"	65
CAMTE	3"	80
CAMTE	4	100

TYPE: F ADAPTOR MALE



PART NO.	SIZE INCH	MM
CAMTF	1/2"	15
CAMTF	3/4"	20
CAMTF	1	25
CAMTF	1-1/4"	32
CAMTF	1-1/2"	40
CAMTF	2"	50
CAMTF	2-1/2"	65
CAMTF	3"	80
CAMTF	4	100

TYPE: DC DUST CAP



PART NO.	SIZE INCH	MM
CAMTDC	1/2"	15
CAMTDC	3/4"	20
CAMTDC	1	25
CAMTDC	1-1/4"	32
CAMTDC	1-1/2"	40
CAMTDC	2"	50
CAMTDC	2-1/2"	65
CAMTDC	3"	80
CAMTDC	4	100
CAMTDC	6	150

TYPE: DP DUST PLUG



PART NO.	SIZE INCH	MM
CAMTDP	1/2"	15
CAMTDP	3/4"	20
CAMTDP	1	25
CAMTDP	1-1/4"	32
CAMTDP	1-1/2"	40
CAMTDP	2"	50
CAMTDP	2-1/2"	65
CAMTDP	3"	80
CAMTDP	4	100
CAMTDP	6"	150

TYPE: AF ADAPTOR FLANGE



PART NO.	SIZE INCH
CAMTAF	2" - 6"

FLANGE: ASA 150 LB JIS 10K

TYPE: DF ADAPTOR FLANGE



PART NO.	SIZE INCH
CAMTDF	2" - 6"

FLANGE: ASA 150 LB JIS 10K