

Our Zenith Hygienic Filter Range

Zenith Hygienic Filters are available from stock in three different designs, Y-type, In-line and 90 degree. All bodies manufactured from 316L stainless steel.

The filter bodies are manufactured with optional end connections and are supplied with various polished finishes inside and outside (see technical details).



Filter Element:

A strong wire screen element, manufactured from 316L stainless steel welded and polished, provides a much stronger filtration unit than woven mesh which tends to collapse under pressure. The filter is designed to work with a flow direction from the outside to the inside with a maximum working pressure of 10 bar. This makes it ideal for C.I.P/S.I.P. but also can be cleaned by hand or back flushed and will not collapse if accidental reverse flow takes place.

A metal to metal seating arrangement eliminates potential leakage problems, with the clamp gasket being the only seal. Gaskets are available in various materials depending on application.

Filters Special Features:

Filter Body: Manufactured from 316L stainless steel.

Filter Element: Manufactured from 316L Stainless Steel. Available elements include Perforated and Wedge wire.

Easy to assemble/disassemble for ease of cleaning.

A metal to metal seating arrangement eliminates potential leakage problems

Technical Information:

Diameters: Available from 1" – 6" OD. See specifications below.

Materials: All wetted parts are manufactured from 316/316L Stainless Steel. Other parts 304.

Specification: US3A, Weld, RJT, DIN, SMS, ISO, IDF.

Filter Ends: Clamp, Weld, Male, Female, Threaded.

Max Working Pressure: 10 Bar Max.

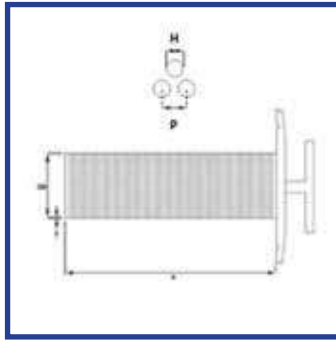
Temperature: - 10 ° C to + 120 ° C (dependent on seal material)

Seal Material: EPDM, Silicone, Viton, PTFE. Other materials available on request.

Surface Finish: Brushed Polish ID/OD Ra <0.5 µm, Glass bead blast, Mirror Polish, Electro polish.

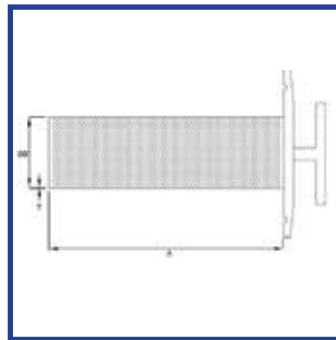
HYGIENIC FILTER ELEMENTS 316L

FILTER PERFORATED ELEMENT - 1MM TO 5MM HOLES



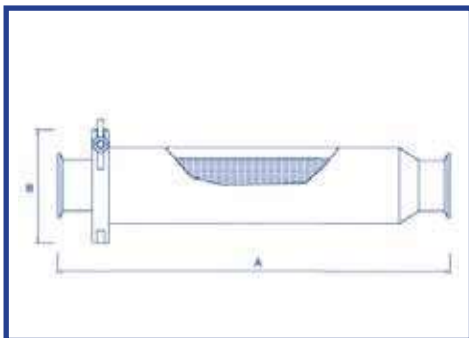
SIZE	A (MM)	H (MM)	USEFUL SURFACE %
1"	50.80	1-5MM	22.7% - 35.4%
1 1/2"	50.80	1-5MM	22.7% - 35.4%
2"	50.80	1-5MM	22.7% - 35.4%
3"	50.80	1-10MM	22.7% - 40.3%
4"	50.80	1-10MM	22.7% - 40.3%
6"	50.80	1-3MM	22.7% - 32.6%

WEDGE WIRE ELEMENT 50 TO 3000 MICRON



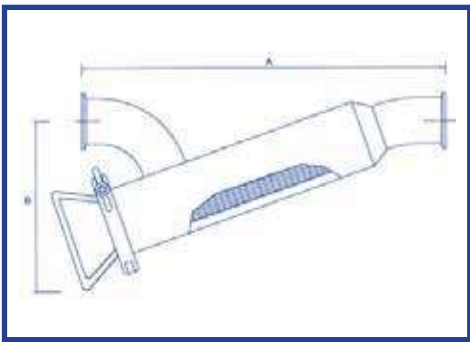
SIZE	A (MM)	B (MM)	MICRON (MM)	USEFUL SURFACE %
1"	25.40	0.05 - 3.00	50 - 3000	5% - 75%
1.5"	38.10	0.05 - 3.00	50 - 3000	5% - 75%
2"	50.80	0.05 - 3.00	50 - 3000	5% - 75%
3"	63.50	0.05 - 3.00	50 - 3000	5% - 75%
4"	76.20	0.05 - 3.00	50 - 3000	9% - 13%

HYGIENIC IN LINE FILTER 316L



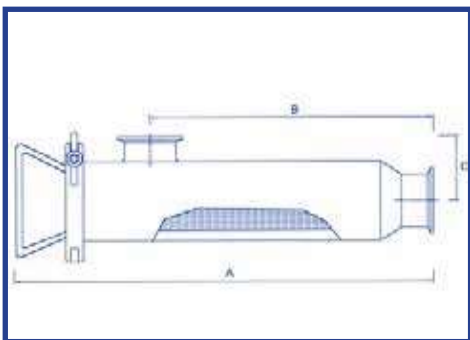
ENDS	A (MM)	O.D. SIZE		
		1"	1 1/2"	2"
WELD ENDS	A (MM)	355.00	355.00	355.00
	B (MM)	130.00	130.00	130.00
TRI CLAMP FERRULE	A (MM)	398.00	398.00	398.00
	B (MM)	130.00	130.00	130.00
RJT M/M	A (MM)	412.00	412.00	412.00
	B (MM)	130.00	130.00	130.00
IDF M/M	A (MM)	398.00	398.00	398.00
	B (MM)	130.00	130.00	130.00
SMS M/M	A (MM)	383.00	383.00	383.00
	B (MM)	130.00	130.00	130.00
DIN M/M	A (MM)	413.00	413.00	413.00
	B (MM)	130.00	130.00	130.00

HYGIENIC Y-TYPE FILTER 316L

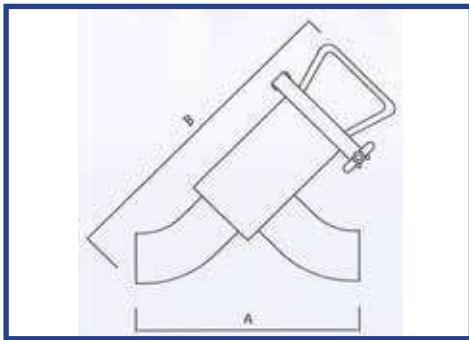


ENDS		O.D. SIZE				
		1"	1 1/2"	2"	2 1/2"	3"
WELD ENDS	A (MM)	335.00	353.00	376.00	473.00	396.00
	B (MM)	185.00	185.00	185.00	185.00	185.00
TRI CLAMP FERRULE	A (MM)	376.00	394.00	397.00	518.00	436.00
	B (MM)	185.00	185.00	185.00	185.00	185.00
RJT M/M	A (MM)	382.00	400.00	403.00	520.00	438.00
	B (MM)	185.00	185.00	185.00	185.00	185.00
IDF M/M	A (MM)	376.00	394.00	397.00	518.00	436.00
	B (MM)	185.00	185.00	185.00	185.00	185.00
SMS M/M	A (MM)	374.00	400.00	399.00	532.00	445.00
	B (MM)	185.00	185.00	185.00	185.00	185.00
DIN M/M	A (MM)	384.00	410.00	411.00	548.00	445.00
	B (MM)	185.00	185.00	185.00	185.00	185.00

HYGIENIC 90 DEGREE FILTER 316L



ENDS		O.D. SIZE				
		1"	1 1/2"	2"	2 1/2"	3"
WELD ENDS	B (MM)	285.00	278.00	273.00	307.00	266.00
	C (MM)	41.00	41.00	41.00	104.00	63.00
TRI CLAMP FERRULE	B (MM)	306.00	299.00	294.00	320.00	281.00
	C (MM)	62.00	62.00	62.00	125.00	84.00
RJT M/M	B (MM)	312.00	305.00	300.00	320.00	275.00
	C (MM)	68.00	68.00	68.00	129.00	89.00
IDF M/M	B (MM)	306.00	299.00	294.00	322.00	281.00
	C (MM)	62.00	62.00	62.00	125.00	84.00
SMS M/M	B (MM)	304.00	301.00	296.00	328.00	287.00
	C (MM)	60.00	64.00	64.00	131.00	90.00
DIN M/M	B (MM)	314.00	311.00	308.00	341.00	305.00
	C (MM)	70.00	74.00	76.00	144.00	108.00



SIZE	A (MM)	B (MM)
1"	223.00	290.00
1.5"	165.00	280.00
2"	222.00	300.00
2.5"	370.00	367.00
3"	290.00	367.00
4"	540.00	360.00
6"	473.00	550.00

Zenith pump protection strainers are designed to assist in removing potentially damaging material entering pumps. These are also used in process pipelines in confined spaces.

Special Features:

- Strainer Body: Manufactured from 316L stainless steel.
- Strainer Element: Manufactured from 316L Stainless Steel. Available elements include Perforated and Wedge wire.
- Easy to assemble/disassemble for ease of cleaning.
- A metal to metal seating arrangement eliminates potential leakage problems
- Wedgewire elements can also be used.

Technical Information:

Diameters: Available from 1" – 6" OD.

Materials: All wetted parts are manufactured from 316/316L Stainless Steel. Other parts 304.

Specification: US3A, Weld, RJT, DIN, SMS, ISO, IDF.

Strainer Ends: Clamp, Weld, Male, Female, Threaded.

Max Working Pressure: 10 bar Max.

Temperature: - 10 ° C to + 120 ° C (dependent on seal material)

Seal Material: EPDM, Silicone, Viton, PTFE. Other materials available on request.

Surface Finish: Brushed Polish ID/OD, Ra <0.8 µm, Glass bead blast, Mirror Polish, Electro polish.