

About our BSP Ball Valves BSP Fittings and Flanges.

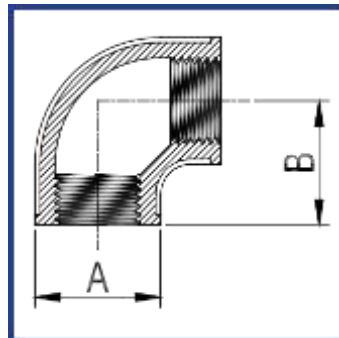
BSP Ball Valves: A comprehensive range of BSP ball valves are available including: One piece/Two piece/Three piece ball Valve with a variety of ends (F/F, Butt weld, Socket weld, Long butt weld.) Available in 304 or 316.

Bsp Fitting: A comprehensive range of BSP fittings are available covering Elbows, Tees, Crosses, Unions, Reducing Tees, Nipples, Reducing Sockets, Bushings, Hose Nipples, Welding Nipples, Round Caps, Plugs, Sockets, And Compression Fittings. Available in 304 or 316.

Flanges: A large Range of flanges are Available including – BS10 Table “E” – where corrosion resistance and/or hygiene, rather than high pressures and temperatures , are the primary considerations. Available in 304 or 316.

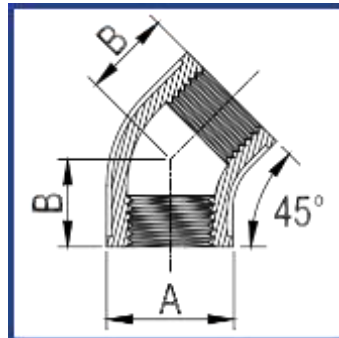
BS4504 PN16 – General corrosion Resistance BS1560 -
ASA 150Lb – OR ANSI 150lb

ELBOW 90° EQUAL BANDED (Female/Female) 304/316



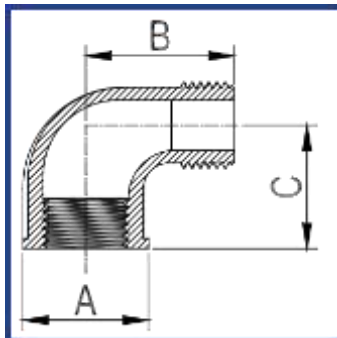
PART NO.	SIZE	A (MM)	B (MM)
BSP90EB	1/8"	18.0	17.6
BSP90EB	1/4"	21.3	20.0
BSP90EB	3/8"	23.5	21.3
BSP90EB	1/2"	29.0	27.0
BSP90EB	3/4"	35.0	33.0
BSP90EB	1"	43.0	38.0
BSP90EB	1 1/4"	52.0	45.0
BSP90EB	1 1/2"	58.0	50.0
BSP90EB	2"	71.0	58.0
BSP90EB	2 1/2"	86.5	69.3
BSP90EB	3"	99.0	77.5
BSP90EB	4"	125.0	97.3

ELBOW 45 DEG BANDED (Female/Female) 304/316



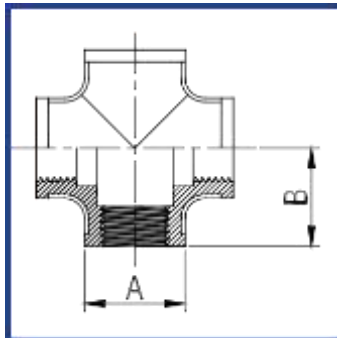
PART NO.	SIZE	A (MM)	B (MM)
BSP45EB	1/8"	18.0	17.5
BSP45EB	1/4"	21.0	19.4
BSP45EB	3/8"	26.0	20.7
BSP45EB	1/2"	29.0	22.0
BSP45EB	3/4"	35.0	25.0
BSP45EB	1"	43.0	28.0
BSP45EB	1 1/4"	52.0	33.0
BSP45EB	1 1/2"	58.0	36.0
BSP45EB	2"	71.0	43.0
BSP45EB	2 1/2"	86.5	48.5
BSP45EB	3"	99.0	53.8
BSP45EB	4"	125.0	64.7

STREET ELBOW 90° BANDED (Male/Female) 304/316



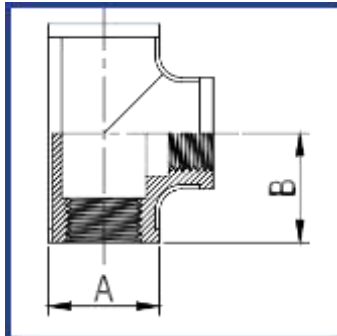
PART NO.	SIZE	A (MM)	B (MM)	
BSP90SEB	1/8"	15.0	26.0	19.0
BSP90SEB	1/4"	18.0	28.3	19.0
BSP90SEB	3/8"	23.0	35.0	22.5
BSP90SEB	1/2"	29.0	42.0	29.0
BSP90SEB	3/4"	35.0	50.5	33.0
BSP90SEB	1"	43.0	52.0	38.0
BSP90SEB	1 1/4"	52.0	60.0	45.0
BSP90SEB	1 1/2"	58.0	65.0	50.0
BSP90SEB	2"	71.0	74.0	58.0
BSP90SEB	2 1/2"	84.0	99.5	68.0
BSP90SEB	3"	96.0	115.5	78.0
BSP90SEB	4"	121.0	146.5	97.0

CROSS BANDED (Female/Female) 304/316



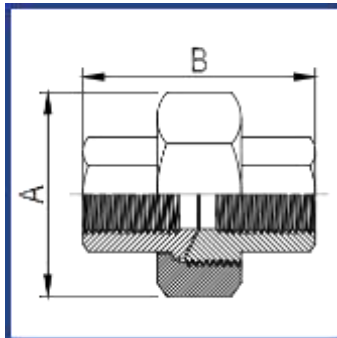
PART NO.	SIZE	A (MM)	B (MM)
BSPXB	1/8"	15.2	17.0
BSPXB	1/4"	19.7	19.0
BSPXB	3/8"	23.3	22.9
BSPXB	1/2"	28.0	26.8
BSPXB	3/4"	34.8	32.0
BSPXB	1"	43.6	37.5
BSPXB	1 1/4"	53.0	45.9
BSPXB	1 1/2"	58.0	47.6
BSPXB	2"	71.0	56.3
BSPXB	2 1/2"	87.0	69.0
BSPXB	3"	99.0	78.0
BSPXB	4"	125.0	97.0

TEE BANDED (Female/Female/Female) 304/316



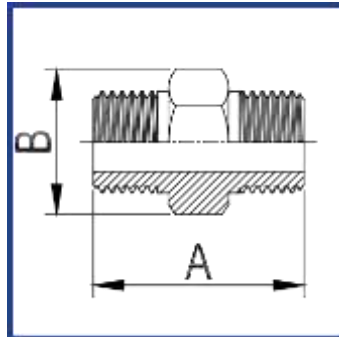
PART NO.	SIZE	A (MM)	B (MM)
BSPTB	1/8"	18.0	17.0
BSPTB	1/4"	21.3	21.0
BSPTB	3/8"	23.5	23.6
BSPTB	1/2"	29.0	27.0
BSPTB	3/4"	35.0	33.0
BSPTB	1"	43.0	38.0
BSPTB	1 1/4"	52.0	45.0
BSPTB	1 1/2"	58.0	50.0
BSPTB	2"	71.0	58.0
BSPTB	2 1/2"	86.6	68.7
BSPTB	3"	99.2	77.8
BSPTB	4"	125.0	97.0

UNION CONICAL JOINT (Female/Female) 304/316



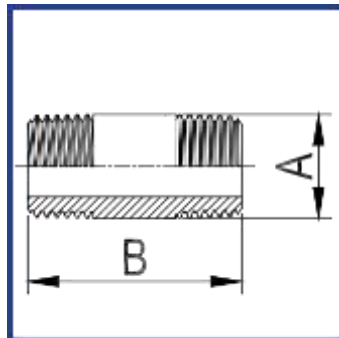
PART NO.	SIZE	A (MM)	B (MM)
BSPCJ	1/8"	25.0	29.0
BSPCJ	1/4"	30.0	37.5
BSPCJ	3/8"	35.0	38.0
BSPCJ	1/2"	42.0	42.0
BSPCJ	3/4"	47.0	50.4
BSPCJ	1"	53.0	48.0
BSPCJ	1 1/4"	71.0	59.0
BSPCJ	1 1/2"	78.0	64.0
BSPCJ	2"	92.0	69.0
BSPCJ	2 1/2"	112.0	80.0
BSPCJ	3"	126.0	88.0
BSPCJ	4"	157.0	108.0

HEXAGON NIPPLE (Male/Male) 304/316

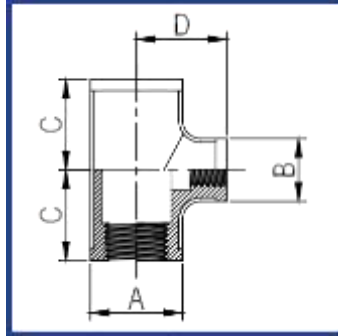


PART NO.	SIZE	A (MM)	B (MM)
BSPHEXN	1/8"	23.6	12.0
BSPHEXN	1/4"	27.8	16.0
BSPHEXN	3/8"	28.0	19.0
BSPHEXN	1/2"	34.0	21.6
BSPHEXN	3/4"	40.0	30.0
BSPHEXN	1"	46.0	36.0
BSPHEXN	1 1/4"	52.5	46.0
BSPHEXN	1 1/2"	54.0	50.0
BSPHEXN	2"	62.0	65.5
BSPHEXN	2 1/2"	70.0	79.5
BSPHEXN	3"	78.4	90.0
BSPHEXN	4"	94.0	120.0

BARREL NIPPLE (Male/Male) 304/316



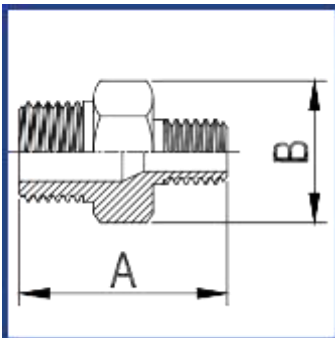
PART NO.	SIZE	A (MM)	B (MM)
BSPBN	1/8"	10.2	40.0
BSPBN	1/4"	13.5	40.0
BSPBN	3/8"	17.2	40.0
BSPBN	1/2"	21.3	60.0
BSPBN	3/4"	26.9	60.0
BSPBN	1"	33.7	60.0
BSPBN	1 1/4"	42.4	80.0
BSPBN	1 1/2"	48.3	80.0
BSPBN	2"	60.3	100.0
BSPBN	2 1/2"	76.1	120.0
BSPBN	3"	88.9	120.0
BSPBN	4"	157.0	108.0



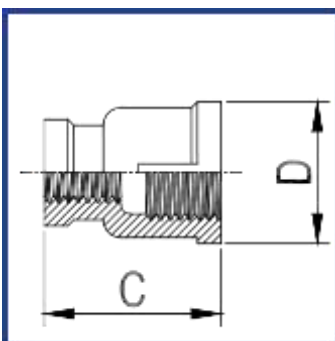
BSP REDUCING SOCKET TEE (Female/Female) 304/316

PART NO.	SIZE	A (MM)	B (MM)	C (MM)	D (MM)
BSPRST	½" x 1/8"	28.8	16.9	22.0	23.0
BSPRST	½" x ¼"	28.8	20.8	24.0	24.0
BSPRST	½" x 3/8"	28.8	23.3	26.0	25.0
BSPRST	¾" x ¼"	35.8	20.8	25.0	27.0
BSPRST	¾" x 3/8"	35.8	23.3	28.0	28.0
BSPRST	¾" x ½"	37.0	30.0	30.0	31.5
BSPRST	1" x ¼"	43.3	20.8	28.0	31.0
BSPRST	1" x 3/8"	43.3	23.3	30.0	31.0
BSPRST	1" x ½"	44.0	30.5	32.0	33.4
BSPRST	1" x ¾"	43.3	35.8	34.0	35.0
BSPRST	1¼" x 3/8"	51.4	23.3	32.0	36.0
BSPRST	1¼" x ½"	51.4	28.8	34.0	38.0
BSPRST	1¼" x ¾"	51.4	35.8	38.0	40.0
BSPRST	1¼" x 1"	51.4	43.3	40.0	42.0
BSPRST	1½" x 3/8"	57.9	23.3	34.0	40.0
BSPRST	1½" x ½"	57.9	28.8	35.0	42.0
BSPRST	1½" x ¾"	57.9	35.8	38.0	43.0
BSPRST	1½" x 1"	57.9	43.3	41.0	45.0
BSPRST	1½" x 1¼"	57.9	51.4	45.0	48.0
BSPRST	2" x ½"	70.6	28.8	38.0	48.0
BSPRST	2" x ¾"	70.6	35.8	41.0	49.0
BSPRST	2" x 1"	70.6	43.3	44.0	51.0
BSPRST	2" x 1¼"	70.6	51.4	48.0	54.0
BSPRST	2" x 1½"	70.6	57.9	52.0	55.0

HEXAGON NIPPLE REDUCING (Male/Male) 304/316

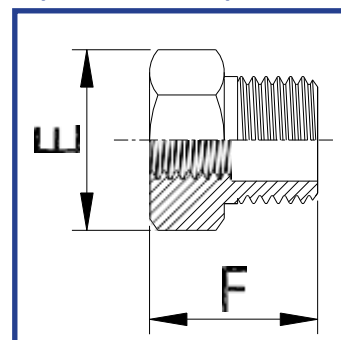


HEXAGON NIPPLE REDUCING (Female/Female) 304/316

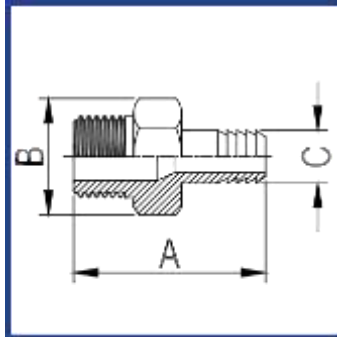


PART NO.	SIZE	A (MM)	B (MM)	C (MM)	D (MM)	E (MM)	F (MM)
BSPR	¼" x 1/8"	34.0	18.0	26.0	21.5	16.0	15.2
BSPR	3/8" x 1/8"	36.0	21.0	30.0	22.6	18.0	16.5
BSPR	3/8" x ¼"	34.0	21.0	29.0	26.0	18.0	16.5
BSPR	½" x 1/8"	34.0	26.0	34.4	29.4	26.0	21.0
BSPR	½" x ¼"	34.0	26.0	33.0	29.7	26.0	21.0
BSPR	½" x 3/8"	41.0	26.0	34.0	29.0	26.0	21.0
BSPR	¾" x 1/8"	37.0	30.0	38.0	36.7	-	-
BSPR	¾" x ¼"	37.0	30.0	34.5	36.5	30.0	24.0
BSPR	¾" x 3/8"	37.0	30.0	36.5	36.8	30.0	24.0
BSPR	¾" x ½"	45.0	30.0	37.0	36.7	30.0	24.0
BSPR	1" x 1/8"	-	-	41.7	43.7	-	-
BSPR	1" x ¼"	39.0	35.0	42.0	43.7	35.0	27.0
BSPR	1" x 3/8"	40.0	35.0	42.7	46.3	35.0	27.0
BSPR	1" x ½"	43.2	35.0	42.8	44.7	35.0	27.0
BSPR	1" x ¾"	50.0	37.0	42.0	43.0	35.0	27.0
BSPR	1¼" x 3/8"	46.0	46.0	-	-	-	-
BSPR	1¼" x ½"	48.0	46.0	49.0	52.5	45.0	30.0
BSPR	1¼" x ¾"	52.0	46.0	48.0	54.5	45.0	30.0
BSPR	1¼" x 1"	54.0	46.0	52.0	52.5	45.0	30.0
BSPR	1½" x 3/8"	48.0	50.0	47.0	59.0	52.0	36.0
BSPR	1½" x ½"	49.0	50.0	51.0	59.0	52.0	36.0
BSPR	1½" x ¾"	53.0	50.0	48.5	59.5	52.0	36.0

HEXAGON REDUCING BUSHING (Male/Female) 304/316

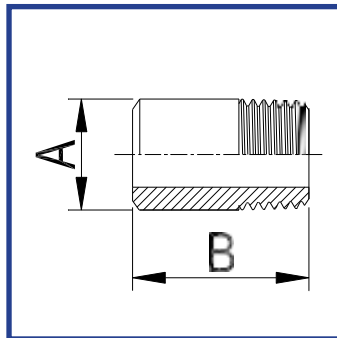


BSP MALE HOSETAIL (Male) 304/316



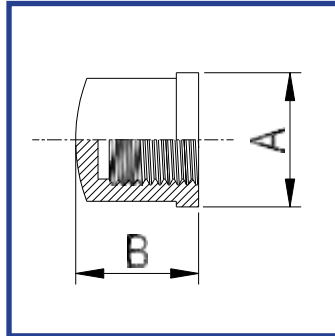
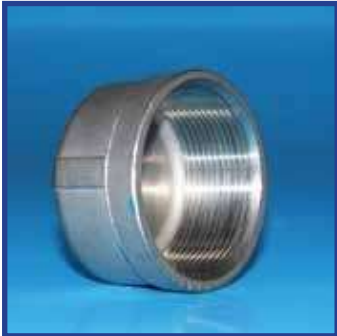
PART NO.	SIZE	A (MM)	B (MM)	C (MM)
BSPHTM	1/8"	45.0	12.5	4.5
BSPHTM	1/4"	47.0	16.5	6.35
BSPHTM	3/8"	55.0	20.0	9.5
BSPHTM	1/2"	64.0	23.5	12.7
BSPHTM	3/4"	68.0	31.0	19.05
BSPHTM	1"	71.0	38.5	25.4
BSPHTM	1 1/4"	80.0	46.0	31.8
BSPHTM	1 1/2"	95.0	52.0	38.1
BSPHTM	2"	105.0	62.0	50.8
BSPHTM	2 1/2"	107.0	80.0	63.5
BSPHTM	3"	112.0	91.0	76.2
BSPHTM	4"	130.0	116.5	101.6

BSP WELDING NIPPLE (Male) 304/316



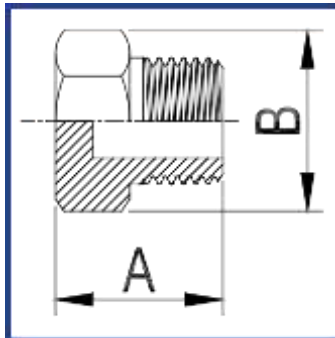
PART NO.	A	B (MM)	(MM)
BSPWN	1/8"	10.2	30.0
BSPWN	1/4"	13.5	30.0
BSPWN	3/8"	17.2	30.0
BSPWN	1/2"	21.3	35.0
BSPWN	3/4"	26.9	40.0
BSPWN	1"	33.7	40.0
BSPWN	1 1/4"	42.4	50.0
BSPWN	1 1/2"	48.3	50.0
BSPWN	2"	60.3	50.0
BSPWN	2 1/2"	76.1	60.0
BSPWN	3"	88.9	70.0
BSPWN	4"	114.3	80.0

BSP ROUND CAP BANDED (Female) 304/316



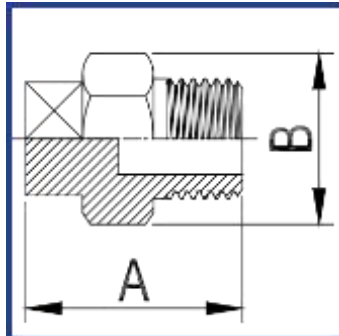
PART NO.	SIZE	A (MM)	B (MM)
BSPRCB	1/8"	18.0	15.0
BSPRCB	1/4"	21.0	17.0
BSPRCB	3/8"	24.0	17.0
BSPRCB	1/2"	27.3	19.0
BSPRCB	3/4"	35.0	24.0
BSPRCB	1"	42.0	29.0
BSPRCB	1 1/4"	52.0	32.0
BSPRCB	1 1/2"	57.5	34.0
BSPRCB	2"	69.3	38.0
BSPRCB	2 1/2"	91.0	43.0
BSPRCB	3"	106.0	48.0
BSPRCB	4"	133.0	53.0

HEXAGON PLUG- TAPER THREAD (Male) 304/316



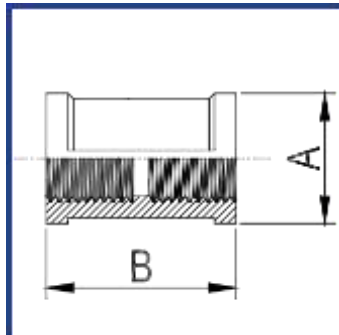
PART NO.	SIZE	A (MM)	B (MM)
BSPTHEXP	1/8"	17.0	12.0
BSPTHEXP	1/4"	17.5	16.0
BSPTHEXP	3/8"	18.0	20.0
BSPTHEXP	1/2"	25.0	24.0
BSPTHEXP	3/4"	26.0	30.0
BSPTHEXP	1"	29.0	38.0
BSPTHEXP	1 1/4"	35.0	46.0
BSPTHEXP	1 1/2"	38.0	52.0
BSPTHEXP	2"	39.0	65.0
BSPTHEXP	2 1/2"	44.0	81.0
BSPTHEXP	3"	54.0	94.0
BSPTHEXP	4"	125.0	64.7

BSP SQUARE PLUG (Male) 304/316



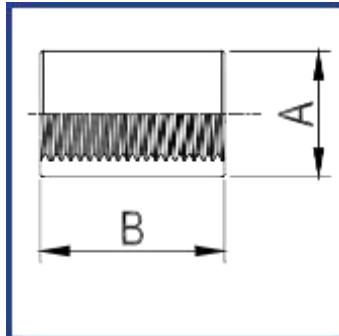
PART NO.	SIZE	A (MM)	B (MM)
BSPSPM	1/8"	19.0	6x6
BSPSPM	1/4"	20.0	9x9
BSPSPM	3/8"	22.0	11x11
BSPSPM	1/2"	25.0	13x13
BSPSPM	3/4"	27.0	16x16
BSPSPM	1"	32.0	20x20
BSPSPM	1 1/4"	35.0	24x24
BSPSPM	1 1/2"	37.0	25x25
BSPSPM	2"	38.0	32x32
BSPSPM	2 1/2"	48.0	42x42
BSPSPM	3"	52.0	46x46
BSPSPM	4"	62.00	58x58

BSP SOCKET BANDED (Female/Female) 304/316



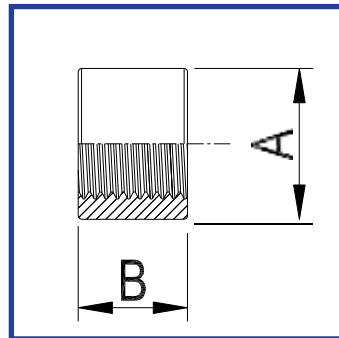
PART NO.	SIZE	A (MM)	B (MM)
BSPSBF	1/8"	16.0	24.0
BSPSBF	1/4"	20.0	26.0
BSPSBF	3/8"	25.0	29.0
BSPSBF	1/2"	30.0	36.0
BSPSBF	3/4"	37.2	38.0
BSPSBF	1"	44.0	41.0
BSPSBF	1 1/4"	52.0	49.0
BSPSBF	1 1/2"	60.0	49.0
BSPSBF	2"	72.0	55.0
BSPSBF	2 1/2"	89.0	61.6
BSPSBF	3"	104.0	71.0
BSPSBF	4"	131.0	84.0

BSP SOCKET PLAIN (Female/Female) 304/316



PART NO.	SIZE	A (MM)	B (MM)
BSPSP	1/8"	15.0	17.0
BSPSP	1/4"	18.5	25.0
BSPSP	3/8"	21.3	26.0
BSPSP	1/2"	27.7	34.0
BSPSP	3/4"	33.0	36.0
BSPSP	1"	39.7	43.3
BSPSP	1 1/4"	49.0	48.0
BSPSP	1 1/2"	55.0	48.0
BSPSP	2"	67.0	56.0
BSPSP	2 1/2"	82.9	65.6
BSPSP	3"	96.0	71.0
BSPSP	4"	123.6	83.5

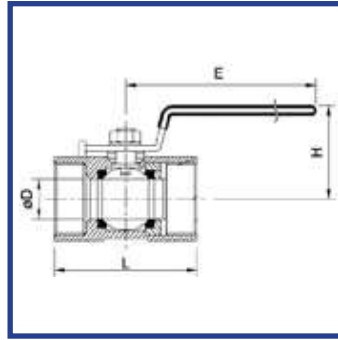
BSP HALF SOCKET PLAIN (Female/Female) 304/316



PART NO.	SIZE	A (MM)	B (MM)
BSPHSP	1/8"	15.0	10.0
BSPHSP	1/4"	18.5	11.0
BSPHSP	3/8"	21.3	12.0
BSPHSP	1/2"	27.7	15.5
BSPHSP	3/4"	33.0	17.4
BSPHSP	1"	39.7	20.0
BSPHSP	1 1/4"	49.0	22.0
BSPHSP	1 1/2"	55.0	22.0
BSPHSP	2"	67.0	26.9
BSPHSP	2 1/2"	82.9	31.0
BSPHSP	3"	96.0	34.0
BSPHSP	4"	123.6	39.0

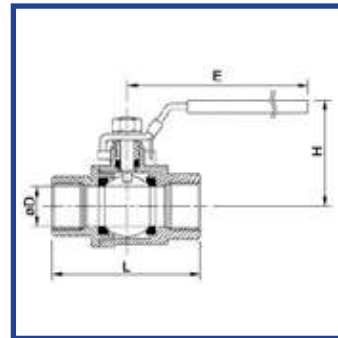
BSP BALL VALVES

BSP SCREWED BALL VALVE 1-PC NPT/BSPP/BSPT



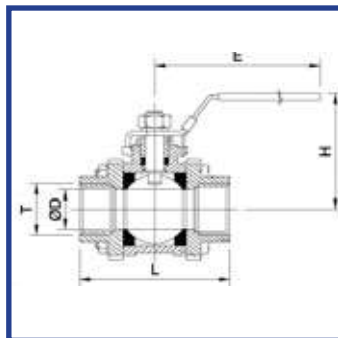
PART NO.	SIZE	D (MM)	E (MM)	H (MM)	L (MM)
BSPBVS1	1/4"	5.00	60.00	33.00	40.00
BSPBVS1	3/8"	7.00	67.00	36.00	45.00
BSPBVS1	1/2"	10.00	90.00	42.00	58.00
BSPBVS1	3/4"	13.00	90.00	45.00	60.00
BSPBVS1	1"	16.00	112.00	52.00	72.00
BSPBVS1	1 1/4"	20.00	112.00	57.00	80.00
BSPBVS1	1 1/2"	25.00	132.00	60.00	85.0
BSPBVS1	2"	32.00	132.00	60.00	102.00

BSP SCREWED BALL VALVE 2-PC NPT/BSPP/BSPT

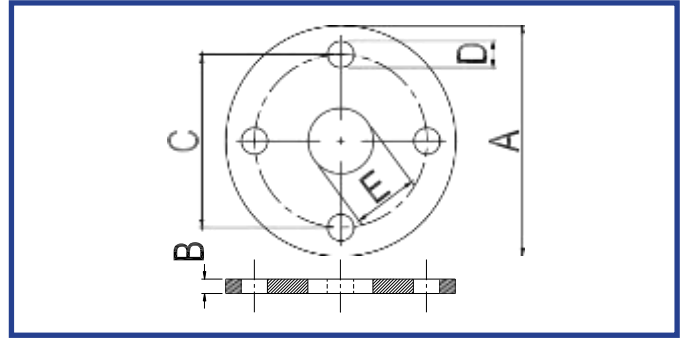


PART NO.	SIZE	A (MM)	B (MM)	C (MM)	D (MM)
BSPBVS2	1/4"	12.50	106.00	48.00	52.00
BSPBVS2	3/8"	12.50	106.00	48.00	52.00
BSPBVS2	1/2"	15.00	106.00	54.00	63.00
BSPBVS2	3/4"	20.00	132.00	61.00	75.00
BSPBVS2	1"	25.00	152.00	71.00	88.00
BSPBVS2	1 1/4"	32.00	152.00	75.00	101.00
BSPBVS2	1 1/2"	38.00	193.00	91.00	112.00
BSPBVS2	2"	65.00	193.00	100.00	124.00
BSPBVS2	2 1/2"	65.00	263.00	142.00	164.00

BSP SCREWED BALL VALVE 3-PC NPT/BSPP/BSPT



PART NO.	SIZE	D (MM)	E (MM)	H (MM)	L (MM)
BSPBVS3	1/4"	11.50	108.00	56.00	60.00
BSPBVS2	3/8"	12.50	108.00	56.00	60.00
BSPBVS2	1/2"	15.00	123.00	59.00	68.00
BSPBVS2	3/4"	20.00	123.00	62.00	70.50
BSPBVS2	1"	25.00	130.00	68.00	87.00
BSPBVS2	1 1/4"	32.00	130.00	88.00	96.00
BSPBVS2	1 1/2"	38.00	152.00	100.00	135.00
BSPBVS2	2"	50.00	182.00	108.00	129.00
BSPBVS2	2 1/2"	65.00	220.00	125.00	155.50



BS10 TABLE -"E" BLANK FLANGES OR BORED OUT OD. FLANGE 304,316

PART NO.	SIZE	A (MM)	B (MM)	C (MM)	D (MM)	E (MM)	BOLT HOLES
BS10E	1"	114.30	7.15	82.55	14.29	26.4	4
BS10E	1½"	133.35	8.73	98.42	17.46	39.1	4
BS10E	2"	152.40	9.53	114.30	17.46	51.8	4
BS10E	2½"	165.10	10.32	127.00	17.46	64.5	4
BS10E	3"	184.15	11.11	146.05	17.46	77.1	4
BS10E	4"	215.90	12.70	177.80	17.46	102.6	8

BS4504 PN16 BLANK FLANGES OR BORED OUT OD. FLANGES 304, 316

PART NO.	SIZE	A (MM)	B (MM)	C (MM)	D (MM)	E (MM)	BOLT HOLES
BSPN16	1"	115.0	16.0	85.0	14.0	26.4	4
BSPN16	1½"	150.0	16.0	110.0	18.0	39.1	4
BSPN16	2"	165.0	18.0	125.0	18.0	51.8	4
BSPN16	2½"	185.0	18.0	145.0	18.0	64.5	4
BSPN16	3"	200.0	20.0	160.0	18.0	77.1	8
BSPN16	4"	220.0	20.0	180.0	18.0	102.6	8

BS1560-ASA 150 Lb-ANSI 150Lb BLANK FLANGES OR BORED OUT OD. FLANGES 304, 316

PART NO.	SIZE	A (MM)	B (MM)	C (MM)	D (MM)	E (MM)	BOLT HOLES
BS150	1"	108.0	14.3	79.4	15.9	26.4	4
BS150	1½"	127.0	17.5	98.4	15.9	39.1	4
BS150	2"	152.4	19.0	120.6	19.0	51.8	4
BS150	2½"	177.8	22.2	139.7	19.0	64.5	4
BS150	3"	190.5	23.8	152.4	19.0	77.1	4
BS150	4"	228.6	23.8	190.5	19.0	102.6	8

FULL RANGE OF FLANGES ON REQUEST