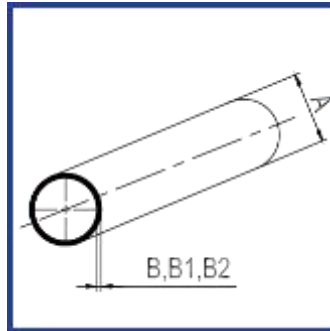
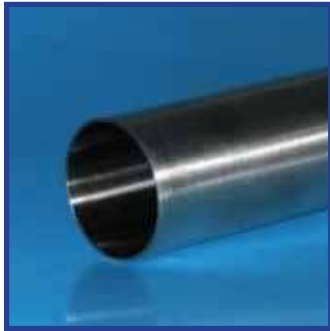


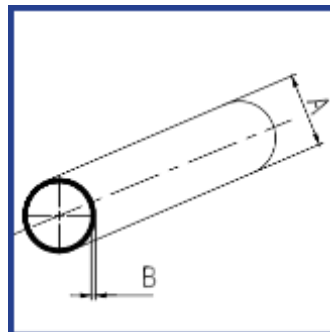
HYGIENIC WELDED AUSTENITIC STAINLESS TUBE

EN 10357 (DIN 11850) TUBE 304,304L,316,316L



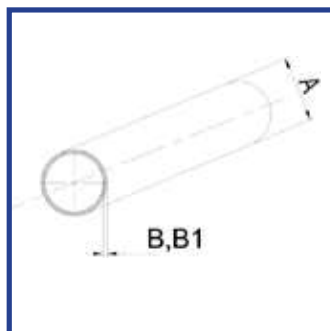
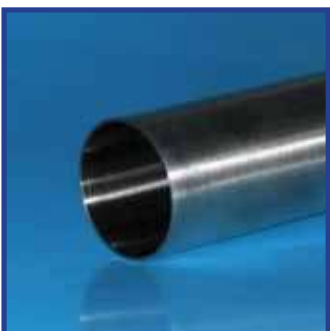
PART NO.	SIZE	A (MM)	B (MM)	B1 (MM)	B2 (MM)
EN10357	1/2"	12.7	1.65	-	-
EN10357	3/4"	19.0	1.65	-	-
EN10357	1"	25.4	1.65	1.25	1.5
EN10357	1 1/2"	38.1	1.65	1.25	1.5
EN10357	2"	50.8	1.65	1.25	1.5
EN10357	2 1/2"	63.5	1.65	1.5	1.5
EN10357	3"	76.2	1.65	1.6	1.6
EN10357	4"	101.6	2.11	1.5	2.0
EN10357	5"	129.00	2.00	-	-
EN10357	6"	154.00	1.50	2.00	2.00
EN10357	8"	204.00	2.00	-	-

3A A270 TUBE & A270 S2 316L BPE TUBE



PART NO.	SIZE	A (INS)	A (MM)	B (MM)	B (MM)
A270	1/2"	12.7	1.65	0.065"	1.65
A270	3/4"	19.0	1.65	0.065"	1.65
A270	1"	1.0"	25.4	0.065"	1.65
A270	1 1/2"	1.5"	38.1	0.065"	1.65
A270	2"	2.0"	50.8	0.065"	1.65
A270	2 1/2"	2.5"	63.5	0.065"	1.65
A270	3"	3.0"	76.2	0.065"	1.65
A270	4"	4.0"	101.6	0.083"	2.11
A270	6"	6.0"	152.4	0.109"	2.77

EN 10357 TUBE DIN 11850



PART NO.	SIZE	A (MM)	B (MM)	B1 (MM)
EN10357	DN25	28.00	1.00	1.50
EN10357	DN32	34.00	1.00	1.50
EN10357	DN40	40.00	1.00	1.50
EN10357	DN50	52.00	1.00	1.50
EN10357	DN65	70.00	2.00	2.00
EN10357	DN80	85.00	2.00	2.00
EN10357	DN100	104.00	2.00	2.00