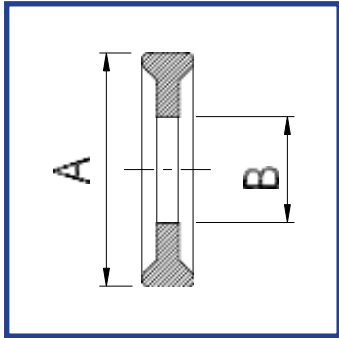


TYPE 1 STANDARD

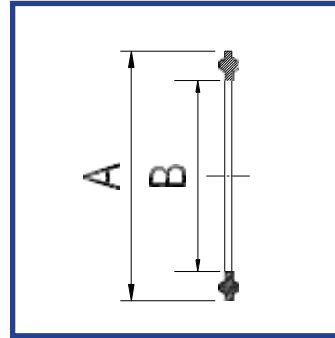
1/2" & 3/4"



SIZE	A (MM)	B (MM)
1/2"	21.8	9.9
3/4"	21.8	16.3

TYPE 1 STANDARD

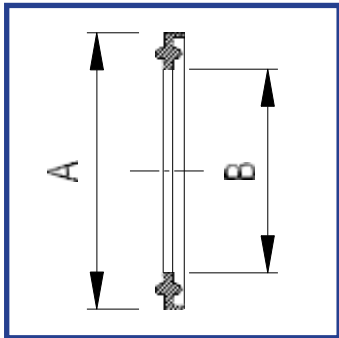
1" - 4"



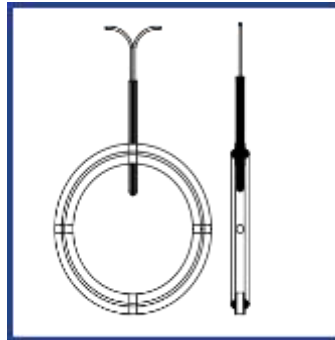
SIZE	A (MM)	B (MM)
1"	22.20	25.65
1 1/2"	34.90	38.35
2"	47.60	51.05
2 1/2"	60.30	63.75
3"	73.00	76.45
4"	97.60	101.85

TYPE 2 FLANGED

1" & 12"

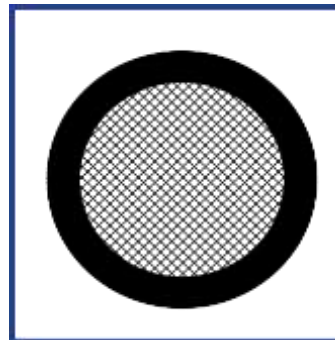


SIZE	A (MM)	B (MM)
1"	22.20	25.65
1 1/2"	34.90	38.35
2"	47.60	51.05
2 1/2"	60.30	63.75
3"	73.00	76.45
4"	97.60	101.85
6"	169.10	148.00
8"	220.00	199.00
10"	270.70	249.00
12"	321.5	300.00



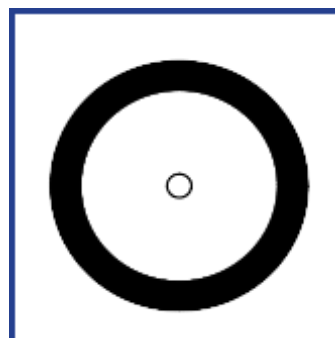
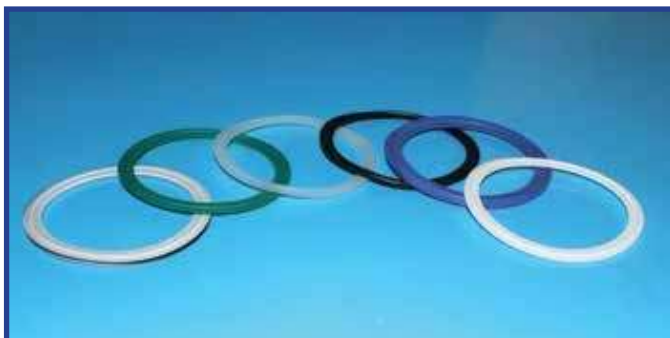
SMART SEALS

We also offer the Smart Seals line of specialty seals for use with Smart Clamps. These Gaskets install between two standard sanitary flanges and allow the use of sensors (thermocouples) and spore traps (details on application).



SCREEN SEALS

Fluid conditioning seals are available in a wide variety of meshes and materials (reference chart available on application)



ORIFICE PLATES

Orifice gaskets are available in many materials (details on application)