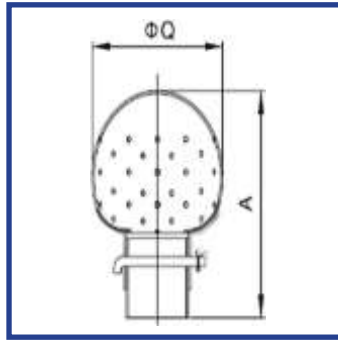


TANK SPRAY BALL

**1" INLET, 2.1/2" BALL DIA, 360DEG SPRAY
 3/32 DRILLING ST/ST 304/316**

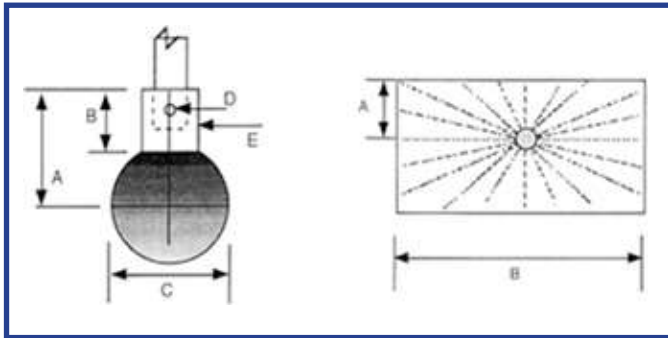
PART NO	Size	A	Q
SB1	1"	95.00	63.00
SB1	1 1/2"	110.00	76.00
SB1	2"	125.00	91.00
SB1	2 1/2"	135.00	100.00

180DEG SPRAY BALL ALSO AVAILABLE



Technical parameter

Size	Pressure	Cleaning fluxation (bar) radius(m)	360/180 m3/h
1"	2.5	1.0-1.25	42660
1 1/4"-1 1/2"	2.5	1.25-1.75	23/17
2"	3.5	2.0-3.0	55/38
2 1/2"	3.5	3.0-3.5	58/41



360 DEG ROTARY SPRAY BALL 304/316L

Size	A (MM)	B (MM)	C (MM)
3/4"	19.20	140	53.00
1"	25.70	140	53.00
1 1/2"	38.40	180	63.00

