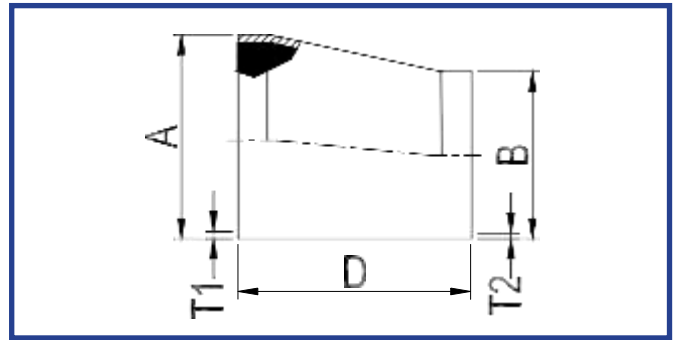
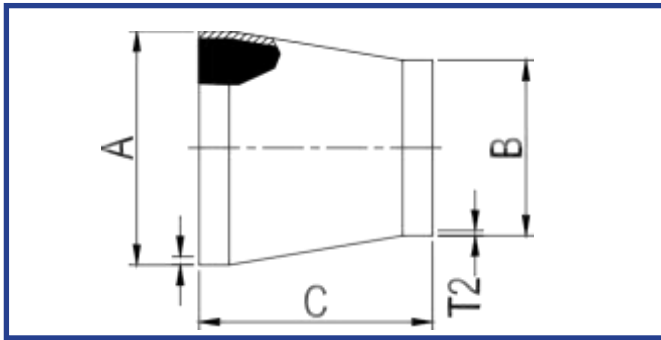


**SMS CONCENTRIC REDUCER 304,304L,316,316L (SMSCR)**
**SMS ECCENTRIC REDUCER 304,304L,316,316L (SMSER)**


PART NO.	SIZE	A (MM)	T1 (MM)	B (MM)	T2 (MM)	C (MM)	D (MM)
N/A	38 x 25	38.0	1.25	25.0	1.25	39.0	46.0
N/A	51 x 25	51.0	1.25	25.0	1.25	57.0	68.0
N/A	51 x 38	51.0	1.25	38.0	1.25	39.0	47.0
N/A	63.5 x 25	63.5	1.5	25.0	1.25	74.0	90.5
N/A	63.5 x 38	63.5	1.5	38.0	1.25	57.0	70.0
N/A	63.5 x 51	63.5	1.5	51.0	1.25	39.0	44.0
N/A	76 x 25	76.1	1.6	25.0	1.25	92.0	-
N/A	76 x 38	76.1	1.6	38.0	1.25	74.0	89.0
N/A	76 x 51	76.1	1.6	51.0	1.25	57.0	68.0
N/A	76 x 63.5	76.1	1.6	63.5	1.5	39.0	47.0
N/A	101.6 x 51	101.6	2.0	51.0	1.25	95.0	117.0
N/A	101.6 x 63	101.6	2.0	63.5	1.5	78.0	94.0
N/A	101.6 x 76	101.6	2.0	76.1	1.6	60.0	74.0
N/A	104 x 51	104.0	2.0	51.0	1.25	94.0	117.0
N/A	104 x 63.5	104.0	2.0	63.5	1.5	78.0	93.0
N/A	104 x 76	104.0	2.0	76.1	1.6	60.0	73.0