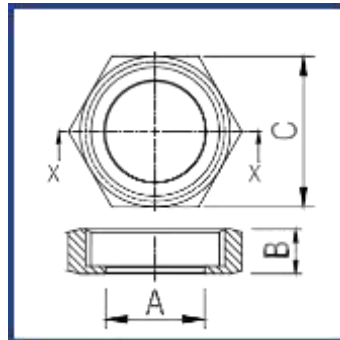
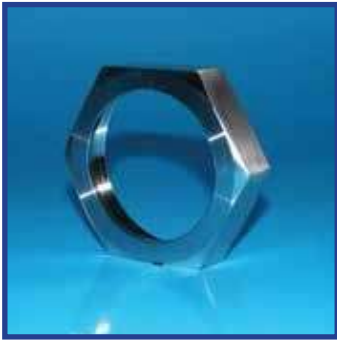


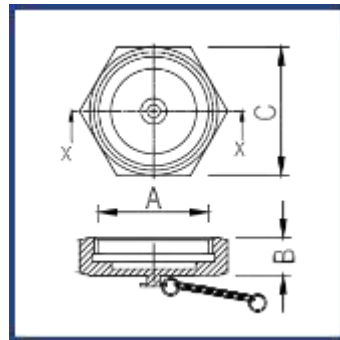
RJT HYGIENIC UNIONS BS4825 PART 5

RJT HEXAGONAL NUT 304



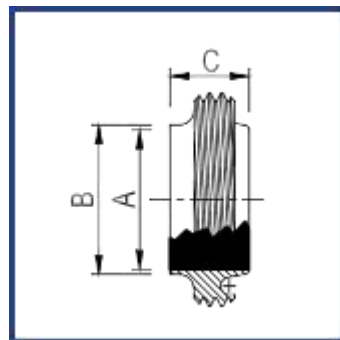
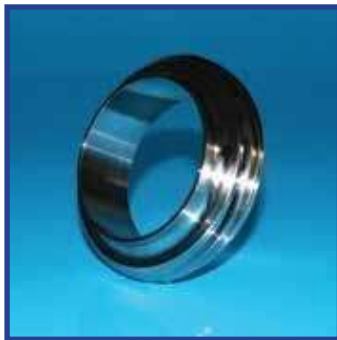
PART NO.	SIZE	A (MM)	B (MM)	C (MM)
RJTN	1"	33.45	22.20	50.80
RJTN	1 1/2"	46.00	22.20	65.00
RJTN	2"	58.67	22.20	79.40
RJTN	2 1/2"	71.40	22.20	92.00
RJTN	3"	84.10	22.20	104.80
RJTN	4"	109.70	22.20	130.00

RJT HEXAGONAL BLANK NUT & CHAIN 304



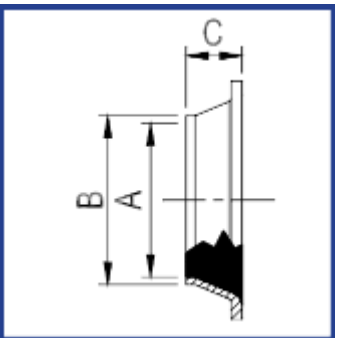
PART NO.	SIZE	A (MM)	B (MM)	C (MM)
RJTNB	1"	42.26	23.50	50.80
RJTNB	1 1/2"	54.96	23.50	65
RJTNB	2"	67.92	23.50	79.40
RJTNB	2 1/2"	80.62	23.50	92.00
RJTNB	3"	93.32	23.50	104.80
RJTNB	4"	118.72	23.50	130.00

RJT WELD MALE 316L, 304



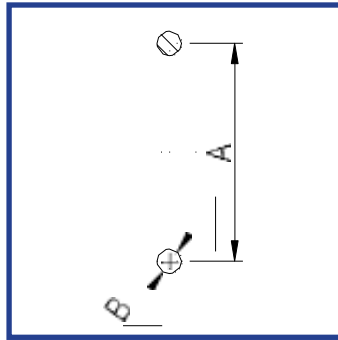
PART NO.	SIZE	A (MM)	B (MM)	C (MM)
RJTWM	1"	22.20	26.65	27.00
RJTWM	1 1/2"	34.90	38.35	27.00
RJTWM	2"	47.60	51.08	27.00
RJTWM	2 1/2"	60.30	63.75	27.00
RJTWM	3"	73.00	76.45	27.00
RJTWM	4"	97.60	101.85	27.00

RJT PRESSED / MACHINED WELD LINER 316L, 304



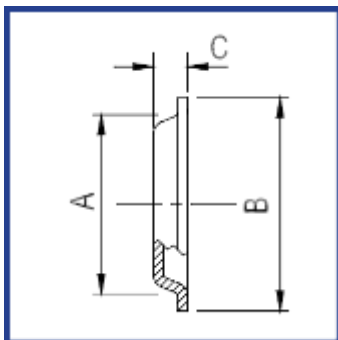
PART NO.	SIZE	A (MM)	B (MM)	C (MM)	D (MM)
RJTML	1"	22.20	25.4	12.70 19.50	41.30
RJTML	1 1/2"	34.90	38.35	12.70 19.50	54.00
RJTML	2"	47.60	50.80	12.70 19.50	66.70
RJTML	2 1/2"	60.30	63.75	12.70 19.50	79.40
RJTML	3"	73.00	76.75	12.70 19.50	92.10
RJTML	4"	97.60	101.85	12.70 19.50	117.50

RJT SEAL (NITRILE,EPDM,SILICONE,VITON)



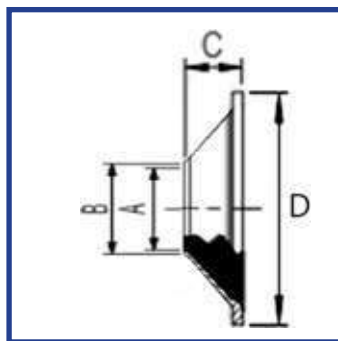
PART NO.	SIZE	A (MM)	B (MM)
RJTS	1"	33.30	6.60
RJTS	1 1/2"	46.00	6.60
RJTS	2"	58.70	6.60
RJTS	2 1/2"	71.40	6.60
RJTS	3"	84.10	6.60
RJTS	4"	109.50	6.60

RJT BLANK PRESSED CAP 316L, 304



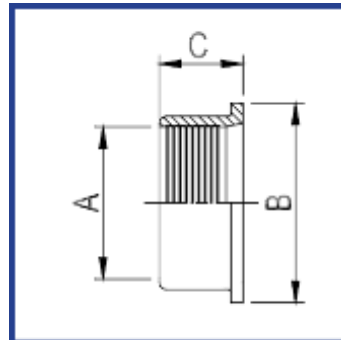
PART NO.	SIZE	A (MM)	B (MM)	C (MM)
RJTC	1"	32.50	41.30	8.70
RJTC	1 1/2"	45.20	54.00	8.70
RJTC	2"	58.00	66.70	8.70
RJTC	2 1/2"	70.60	79.40	8.70
RJTC	3"	83.50	92.10	8.70
RJTC	4"	108.30	117.50	8.70

RJT PRESSED REDUCING WELD LINER 316L, 304



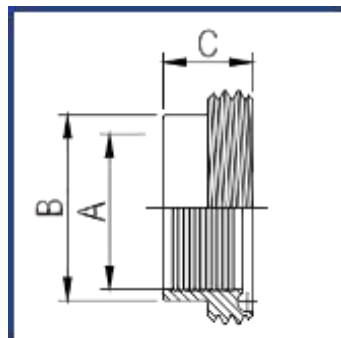
PART NO.	SIZE	A (MM)	B (MM)	C (MM)	D (MM)
RJTRL	1 1/2" X 1"	22.20	25.65	29.00	54.00
RJTRL	2" X 1"	22.20	25.65	30.00	66.70
RJTRL	2" X 1 1/2"	34.90	38.35	13.00	66.70
RJTRL	2 1/2" X 1 1/2"	34.90	38.35	13.00	79.40
RJTRL	2 1/2" X 2"	47.60	51.05	13.00	79.40
RJTRL	3" X 1 1/2"	34.90	38.35	15.00	92.10
RJTRL	3" X 2"	47.60	51.05	13.00	92.10
RJTRL	3" X 2 1/2"	60.30	63.75	13.00	92.10
RJTRL	4" X 2 1/2"	60.30	63.75	28.00	117.50
RJTRL	4" X 3"	73.00	76.45	28.00	117.50

RJT EXPANDING LINER 316L, 304



PART NO.	SIZE	A (MM)	B (MM)	C (MM)
RJTEL	1"	33.45	22.20	50.80
RJTEL	1 1/2"	46.00	22.20	65.00
RJTEL	2"	58.67	22.20	79.40
RJTEL	2 1/2"	71.40	22.20	92.00
RJTEL	3"	84.10	22.20	104.80
RJTEL	4"	109.70	22.20	130.00

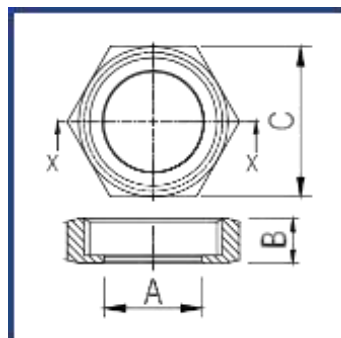
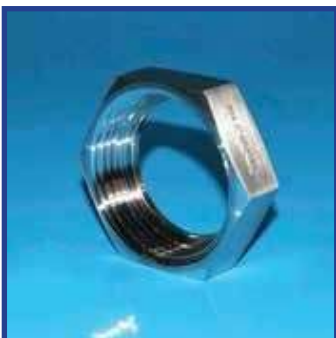
RJT EXPANDING MALE 316L, 304



PART NO.	SIZE	A (MM)	B (MM)	C (MM)
RJTEM	1"	22.20	26.65	50.80
RJTEM	1 1/2"	34.90	38.35	65.00
RJTEM	2"	47.60	51.08	79.40
RJTEM	2 1/2"	60.30	63.75	92.00
RJTEM	3"	73.00	76.45	104.80
RJTEM	4"	97.60	101.85	130.00

ILC - CIP RJT UNIONS BS4825 PART 5

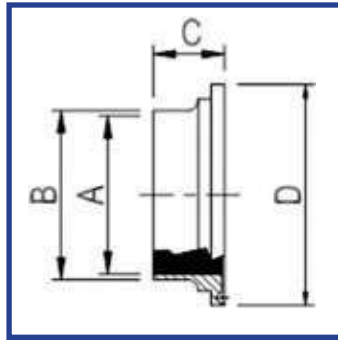
ILC-CIP RJT HEXAGONAL NUT 304



PART NO.	SIZE	A (MM)	B (MM)	C (MM)
ILCN	1/2"	17.40	13.40	28.50
ILCN	3/4"	25.50	22.20	38.00
ILCN	1"	33.45	22.20	50.80
ILCN	1 1/2"	46.00	22.20	65.00
ILCN	2"	58.67	22.20	79.40
ILCN	2 1/2"	71.40	22.20	92.00
ILCN	3"	84.10	22.20	104.80
ILCN	4"	109.70	22.20	130.00

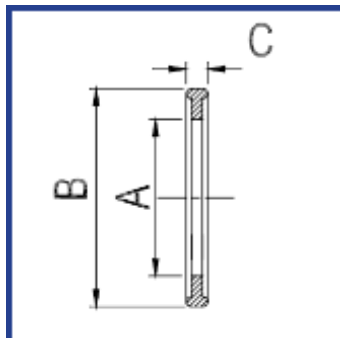
ILC - CIP RJT HYGIENIC UNIONS BS4825 PART 5

ILC-CIP RJT WELD LINER 316L, 304



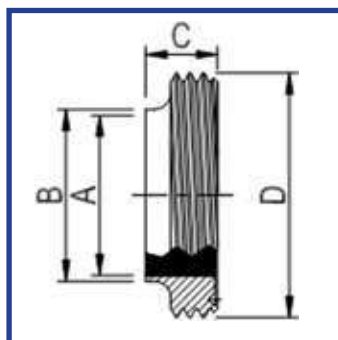
PART NO.	SIZE	A (MM)	B (MM)	C (MM)	D (MM)
ILCL	1/2"	9.50	12.80	11.40	19.90
ILCL	3/4"	15.80	19.10	11.40	27.90
ILCL	1"	22.20	25.65	19.50	41.30
ILCL	1 1/2"	34.90	38.35	19.50	54.00
ILCL	2"	47.60	51.05	19.50	66.70
ILCL	2 1/2"	60.30	63.75	19.50	79.40
ILCL	3"	73.00	76.45	19.50	92.10
ILCL	4"	97.60	101.85	19.50	117.50
ILCL	6"	148	152.5	23.5	169.1

ILC-CIP RJT O RING (NITRILE,EPDM,SILICONE,VITON)



PART NO.	SIZE	A (MM)	B (MM)	C (MM)
ILCS	1/2"	9.75	13.40	3.20
ILCS	3/4"	16.00	25.40	3.20
ILCS	1"	22.22	39.50	6.40
ILCS	1 1/2"	34.90	52.20	6.40
ILCS	2"	47.60	64.90	6.40
ILCS	2 1/2"	60.30	77.60	6.40
ILCS	3"	73.00	90.30	6.40
ILCS	4"	97.50	115.70	6.40

ILC-CIP RJT WELD MALE 316L, 304

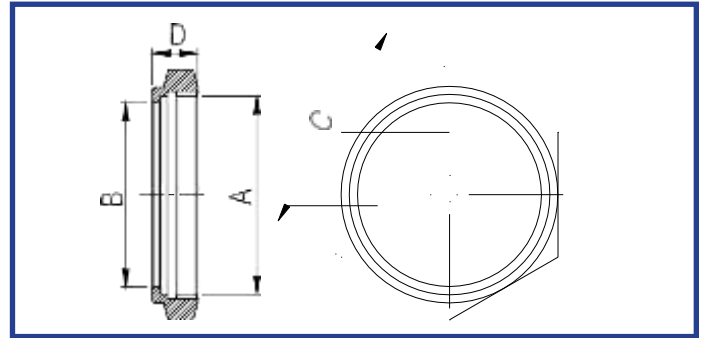


PART NO.	SIZE	A (MM)	B (MM)	C (MM)	C (MM)
ILCWM	1/2"	9.50	12.80	16.00	M22 X 1.5 WHIT
ILCWM	3/4"	15.80	19.10	19.00	M30 X 1.6 WHIT
ILCWM	1"	22.20	25.65	21.50	45.72 X 8 WHIT
ILCWM	1 1/2"	34.90	38.35	21.50	58.42 X 8 WHIT
ILCWM	2"	47.60	51.05	21.50	72.72 X 6 WHIT
ILCWM	2 1/2"	60.30	63.75	21.50	85.42 X 6 WHIT
ILCWM	3"	73.00	76.45	21.50	98.12 X 6 WHIT
ILCWM	4"	97.60	101.85	21.50	123.52 X 6 WHIT

S-RJT UNIONS BS4825 Part 5

SRJT HEXAGONAL NUT 304

PART NO.	SIZE	A (MM)	B (MM)	C (MM)	D (MM)
SRJTN	4"	188.72 X 6 WHIT	110.00	130.00	27.00
SRJTN	5"	144.13 X 6 WHIT	134.00	165.00	27.00
SRJTN	6"	169.52 X 6 WHIT	160.00	190.00	27.00
SRJTN	7"	194.93 X 6 WHIT	185.00	216.00	27.00



SRJT HEXAGONAL NUT 304, SRJT WELD LINER 316L AND SRJT SEAL (NITRILE, EPDM, SILICONE, VITON)

PART NO.	SIZE	A (MM)	B (MM)	C (MM)	D (MM)	E (MM)	F (MM)	G (MM)	H (MM)	J (MM)
N/A	4"	97.60	101.90	123.52	29.00	117.50	16.30	98.00	116.00	9.00
N/A	5"	112.60	127.00	148.93	29.00	142.90	16.30	123.00	141.20	9.00
N/A	6"	148.40	152.80	174.32	29.00	168.30	16.30	148.40	166.50	9.00
N/A	7"	173.60	178.00	199.73	29.00	193.70	16.30	174.00	192.00	9.00

