

INTERLOCK HOSE FITTING



Swage Ferrule Size	HOSE RANGE
1/2"	19.5mm-22.2mm
3/4"	29mm-32mm
1"	34mm-40mm
1 1/2"	49mm-58mm
2"	62mm-73mm
2 1/2"	74.5mm-94mm
3"	89mm-104mm
4"	116mm-123mm

Zenith Stainless Solutions offers the most cost effective/professional solution for all your interlock hose fitting requirements. Through our knowledge and experience the team at Zenith can manufacture a solution for you.

Zenith offers a full range of Hygienic Interlock hose stems and swage ferrules according to customers' requirements for use with all hygienic hoses. All fittings are manufactured using fully traceable Stainless Steel materials.

Benefits of using Zenith Hygienic Hose Fittings:

Special Features:

Our hose fittings allows the ferrule and stem to seal the hose at precision points of contact with the hose ID/OD preventing any bug/bacterial growth areas.

Radial Swaging/Crimping:

The interlock ferrules are manufactured to allow full radial crimping of hygienic hoses. Our swaging ferrules and our interlock stems ensures the most hygienic hose connections in the industry. .

Health and Safety:

Our ferrules are manufactured to allow for the optimal ferrule reduction on the hose completing full interlock with the hose stem ensuring highest safety of your hose assembly.

Quality and Traceability:

All our fittings are fully traceable to EN 10204 3.1 norms. Our hose fittings meet the most stringent requirements of the Food, Dairy, Brewing, Cosmetics and Biopharmaceutical industries.

End Connections:

We can offer our interlock hose stems complete with the following end connections – TRICLAMP, RJT, SMS, IDF, DIN, WELD, and in-house CUSTOM FABRICATIONS as per your requirements.

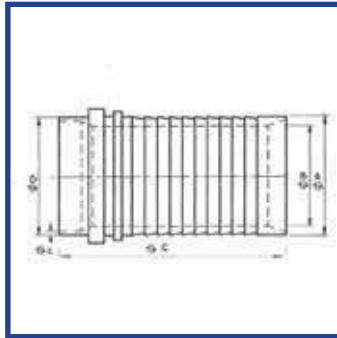
Swage Ferrules are manufactured using 304 material and stems are manufactured with 316L material.

We manufacture parts according to our customer's drawings and sketches.

We welcome the opportunity to quote for the most cost effective hose fitting solution available today.

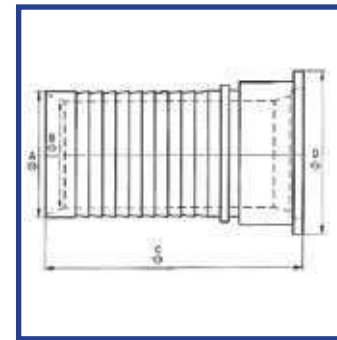
INTERLOCK HOSE FITTING

WELD END INTERLOCKING TAILS



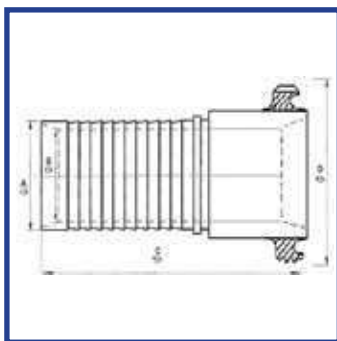
SIZE	A (MM)	B (MM)	C (MM)	D (MM)	E (MM)
1/2"	12.70	9.5	43.00	12.70	1.60
3/4"	19.05	14.00	49.00	19.05	1.60
1"	25.40	18.60	57.00	25.40	1.60
1 1/2"	38.10	31.40	76.00	38.10	1.60
2"	50.80	43.80	92.00	50.80	1.60
2 1/2"	63.50	55.80	101.00	63.50	1.60
3"	76.20	66.60	110.00	76.20	1.60
4"	101.60	91.80	118.00	101.60	2.00

RJT FEMALE END INTERLOCKING TAILS



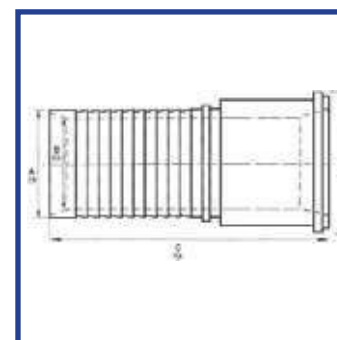
SIZE	A (MM)	B (MM)	C (MM)	D (MM)
1"	25.40	18.60	73.00	41.40
1 1/2"	38.10	31.40	90.00	54.00
2"	50.80	43.80	107.00	66.60
2 1/2"	63.50	55.80	110.00	79.20
3"	76.20	66.60	116.00	92.10
4"	101.60	91.80	124.00	117.50

RJT MALE END INTERLOCKING TAILS



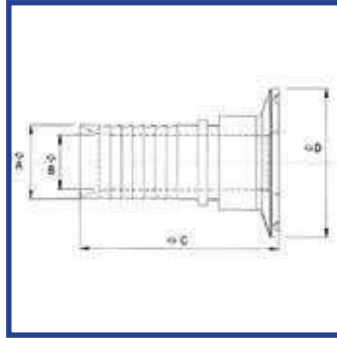
SIZE	A (MM)	B (MM)	C (MM)	D (MM)
1"	25.40	18.60	78.00	45.70
1 1/2"	38.10	31.40	95.00	58.40
2"	50.80	43.80	112.00	72.70
2 1/2"	63.50	55.80	116.00	85.40
3"	76.20	66.60	122.00	98.10
4"	101.60	91.80	126.00	123.50

IDF FEMALE END INTERLOCKING TAILS



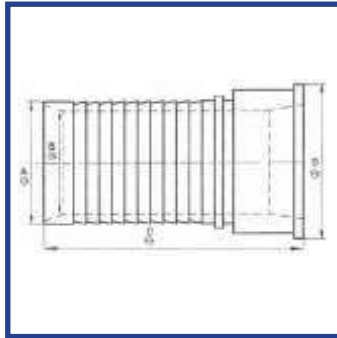
SIZE	A (MM)	B (MM)	C (MM)	D (MM)
1"	25.4	18.6	83	33.8
1 1/2"	38.1	31.4	100	47
2"	50.8	43.8	117	60.5
2 1/2"	63.5	55.8	119	74
3"	76.2	66.6	125	87.5
4"	101.6	91.8	132	114.1

TRI CLAMP END INTERLOCKING TAILS



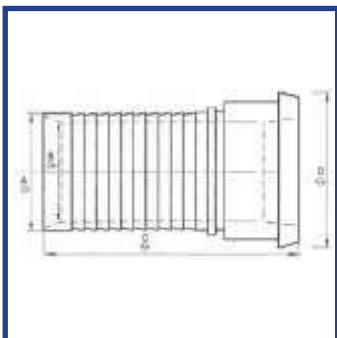
SIZE	A (MM)	B (MM)	C (MM)	D (MM)
½"	12.70	9.50	52.00	25.40
¾"	19.05	14.00	56.00	25.40
1"	25.40	18.60	68.00	50.80
1½"	38.10	31.40	90.00	50.80
2"	50.80	43.80	105.00	64.00
2½"	63.50	55.80	112.00	77.50
3"	76.20	66.60	122.00	91.00
4"	101.60	91.80	119.00	119.00

SMS FEMALE END INTERLOCKING TAILS



SIZE	A (MM)	B (MM)	C (MM)	D (MM)
1"	25.40	18.60	69.00	35.50
1½"	38.10	31.40	91.00	55.00
2"	50.80	43.80	111.00	65.00
2½"	63.50	55.80	115.00	80.00
3"	76.20	66.60	118.00	93.00
4"	101.60	91.80	130.00	118.00

DIN FEMALE END INTERLOCKING TAILS



SIZE	A (MM)	B (MM)	C (MM)	D (MM)
1"	25.40	18.60	79.00	44.00
1½"	38.10	31.40	96.00	56.00
2"	50.80	43.80	115.00	68.00
2½"	63.50	55.80	121.00	86.00
3"	76.20	66.60	133.00	100.00
4"	101.60	91.80	143.00	121.00