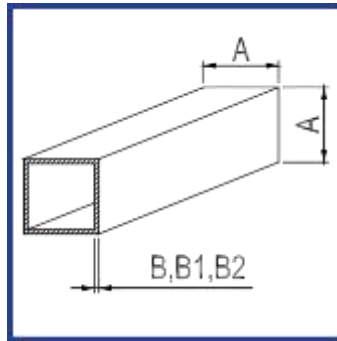
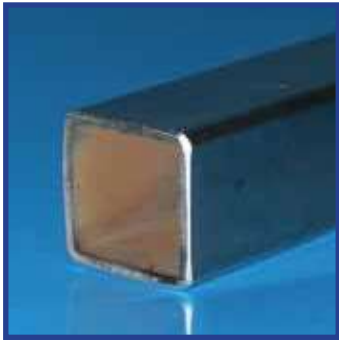


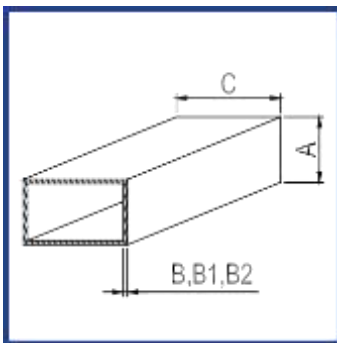
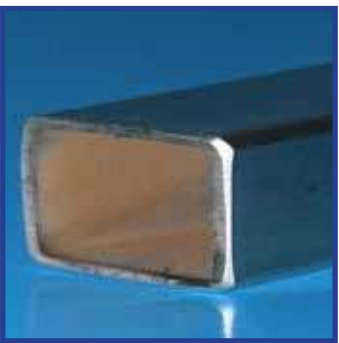
SECTION, FLAT AND ANGLE ASTM A554

SQUARE BOX SECTION 304, 316 ASTM A554



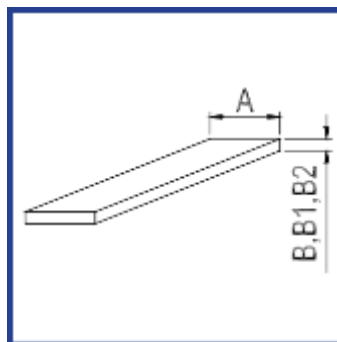
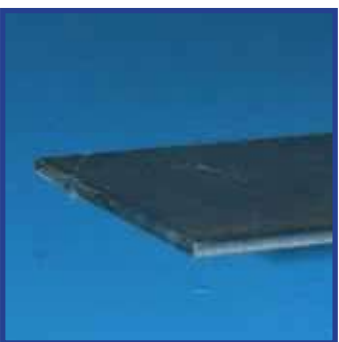
PART NO.	SIZE	A (MM)	B (MM)	C (MM)
N/A	25.0 x 25.0	1.5	2.0-	-
N/A	30.0 x 30.0	1.5	-	-
N/A	40.0 x 40.0	1.5	2.0	3.0
N/A	50.0 x 50.0	1.5	2.0	3.0
N/A	80.0 x 80.0	-	2.0	3.0
N/A	100.0 x 100.0	-	3.0	5.0
N/A	150.0 x 150.0	-	3.0	5.0

RECTANGULAR BOX SECTION 304, 316 ASTM A554



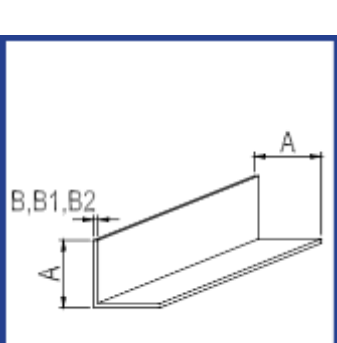
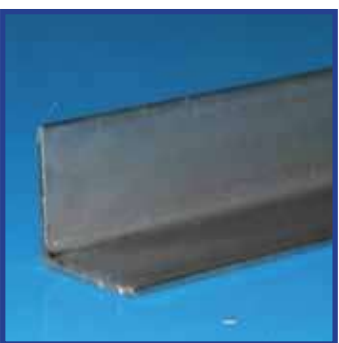
PART NO.	SIZE	A (MM)	B (MM)	C (MM)
N/A	40.0 x 20.0	1.5	-	-
N/A	50.0 x 25.0	1.5	2.0	-
N/A	60.0 x 30.0	-	2.0	3.0
N/A	80.0 x 40.0	-	2.0	3.0
N/A	100.0 x 50.0	-	3.0	5.0

FLAT BAR 304, 316 BS970 Part 4



PART NO.	A (MM)	B (MM)	B1 (MM)	B2 (MM)
N/A	20.0	3.0	5.0	6.0
N/A	25.0	3.0	5.0	6.0
N/A	30.0	3.0	5.0	6.0
N/A	40.0	3.0	5.0	6.0
N/A	50.0	3.0	5.0	6.0

ANGLE 304, 316, 316L BS970 Part 1



PART NO.	A (MM)	B (MM)	B1 (MM)	B2 (MM)
N/A	25.0 x 25.0	3.0	5.0	6.0
N/A	40.0 x 40.0	4.0	5.0	6.0
N/A	50.0 x 50.0	-	5.0	6.0
N/A	80.0 x 80.0	-	6.0	8.0
N/A	100.0 x 100.0	-	6.0	8.0