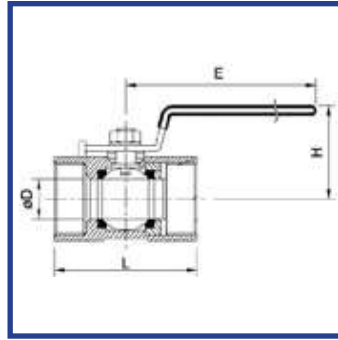


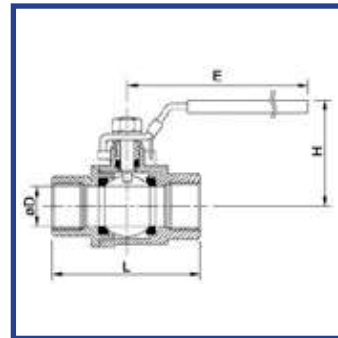
BSP BALL VALVES

BSP SCREWED BALL VALVE 1-PC NPT/BSPP/BSPT



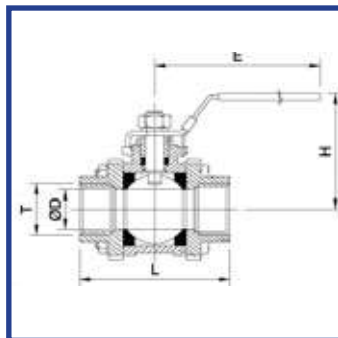
PART NO.	SIZE	D (MM)	E (MM)	H (MM)	L (MM)
BSPBVS1	1/4"	5.00	60.00	33.00	40.00
BSPBVS1	3/8"	7.00	67.00	36.00	45.00
BSPBVS1	1/2"	10.00	90.00	42.00	58.00
BSPBVS1	3/4"	13.00	90.00	45.00	60.00
BSPBVS1	1"	16.00	112.00	52.00	72.00
BSPBVS1	1 1/4"	20.00	112.00	57.00	80.00
BSPBVS1	1 1/2"	25.00	132.00	60.00	85.0
BSPBVS1	2"	32.00	132.00	60.00	102.00

BSP SCREWED BALL VALVE 2-PC NPT/BSPP/BSPT



PART NO.	SIZE	A (MM)	B (MM)	C (MM)	D (MM)
BSPBVS2	1/4"	12.50	106.00	48.00	52.00
BSPBVS2	3/8"	12.50	106.00	48.00	52.00
BSPBVS2	1/2"	15.00	106.00	54.00	63.00
BSPBVS2	3/4"	20.00	132.00	61.00	75.00
BSPBVS2	1"	25.00	152.00	71.00	88.00
BSPBVS2	1 1/4"	32.00	152.00	75.00	101.00
BSPBVS2	1 1/2"	38.00	193.00	91.00	112.00
BSPBVS2	2"	65.00	193.00	100.00	124.00
BSPBVS2	2 1/2"	65.00	263.00	142.00	164.00

BSP SCREWED BALL VALVE 3-PC NPT/BSPP/BSPT



PART NO.	SIZE	D (MM)	E (MM)	H (MM)	L (MM)
BSPBVS3	1/4"	11.50	108.00	56.00	60.00
BSPBVS2	3/8"	12.50	108.00	56.00	60.00
BSPBVS2	1/2"	15.00	123.00	59.00	68.00
BSPBVS2	3/4"	20.00	123.00	62.00	70.50
BSPBVS2	1"	25.00	130.00	68.00	87.00
BSPBVS2	1 1/4"	32.00	130.00	88.00	96.00
BSPBVS2	1 1/2"	38.00	152.00	100.00	135.00
BSPBVS2	2"	50.00	182.00	108.00	129.00
BSPBVS2	2 1/2"	65.00	220.00	125.00	155.50