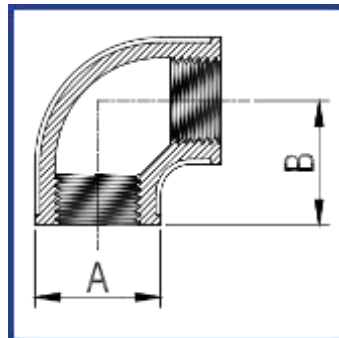
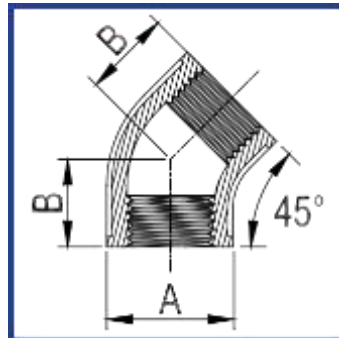


ELBOW 90° EQUAL BANDED (Female/Female) 304/316



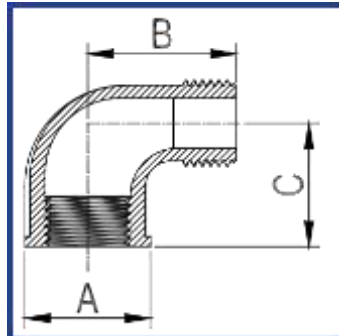
PART NO.	SIZE	A (MM)	B (MM)
BSP90EB	1/8"	18.0	17.6
BSP90EB	1/4"	21.3	20.0
BSP90EB	3/8"	23.5	21.3
BSP90EB	1/2"	29.0	27.0
BSP90EB	3/4"	35.0	33.0
BSP90EB	1"	43.0	38.0
BSP90EB	1 1/4"	52.0	45.0
BSP90EB	1 1/2"	58.0	50.0
BSP90EB	2"	71.0	58.0
BSP90EB	2 1/2"	86.5	69.3
BSP90EB	3"	99.0	77.5
BSP90EB	4"	125.0	97.3

ELBOW 45 DEG BANDED (Female/Female) 304/316



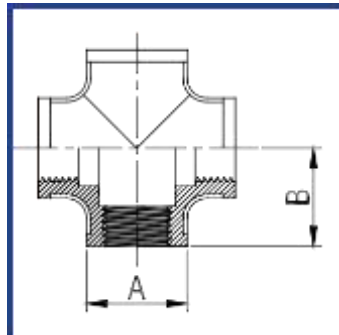
PART NO.	SIZE	A (MM)	B (MM)
BSP45EB	1/8"	18.0	17.5
BSP45EB	1/4"	21.0	19.4
BSP45EB	3/8"	26.0	20.7
BSP45EB	1/2"	29.0	22.0
BSP45EB	3/4"	35.0	25.0
BSP45EB	1"	43.0	28.0
BSP45EB	1 1/4"	52.0	33.0
BSP45EB	1 1/2"	58.0	36.0
BSP45EB	2"	71.0	43.0
BSP45EB	2 1/2"	86.5	48.5
BSP45EB	3"	99.0	53.8
BSP45EB	4"	125.0	64.7

STREET ELBOW 90° BANDED (Male/Female) 304/316



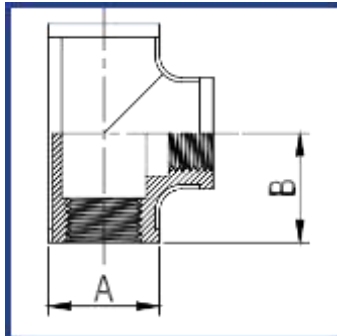
PART NO.	SIZE	A (MM)	B (MM)	
BSP90SEB	1/8"	15.0	26.0	19.0
BSP90SEB	1/4"	18.0	28.3	19.0
BSP90SEB	3/8"	23.0	35.0	22.5
BSP90SEB	1/2"	29.0	42.0	29.0
BSP90SEB	3/4"	35.0	50.5	33.0
BSP90SEB	1"	43.0	52.0	38.0
BSP90SEB	1 1/4"	52.0	60.0	45.0
BSP90SEB	1 1/2"	58.0	65.0	50.0
BSP90SEB	2"	71.0	74.0	58.0
BSP90SEB	2 1/2"	84.0	99.5	68.0
BSP90SEB	3"	96.0	115.5	78.0
BSP90SEB	4"	121.0	146.5	97.0

CROSS BANDED (Female/Female) 304/316



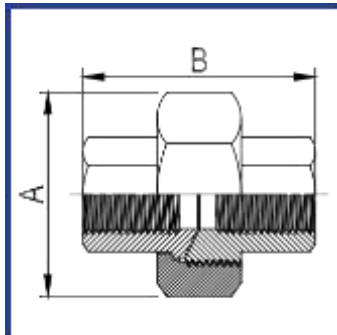
PART NO.	SIZE	A (MM)	B (MM)
BSPXB	1/8"	15.2	17.0
BSPXB	1/4"	19.7	19.0
BSPXB	3/8"	23.3	22.9
BSPXB	1/2"	28.0	26.8
BSPXB	3/4"	34.8	32.0
BSPXB	1"	43.6	37.5
BSPXB	1 1/4"	53.0	45.9
BSPXB	1 1/2"	58.0	47.6
BSPXB	2"	71.0	56.3
BSPXB	2 1/2"	87.0	69.0
BSPXB	3"	99.0	78.0
BSPXB	4"	125.0	97.0

TEE BANDED (Female/Female/Female) 304/316



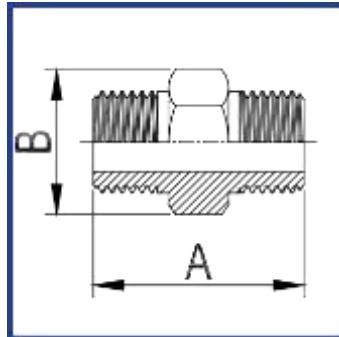
PART NO.	SIZE	A (MM)	B (MM)
BSPTB	1/8"	18.0	17.0
BSPTB	1/4"	21.3	21.0
BSPTB	3/8"	23.5	23.6
BSPTB	1/2"	29.0	27.0
BSPTB	3/4"	35.0	33.0
BSPTB	1"	43.0	38.0
BSPTB	1 1/4"	52.0	45.0
BSPTB	1 1/2"	58.0	50.0
BSPTB	2"	71.0	58.0
BSPTB	2 1/2"	86.6	68.7
BSPTB	3"	99.2	77.8
BSPTB	4"	125.0	97.0

UNION CONICAL JOINT (Female/Female) 304/316



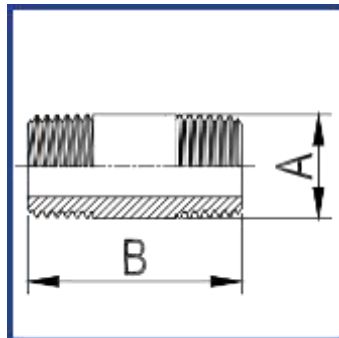
PART NO.	SIZE	A (MM)	B (MM)
BSPCJ	1/8"	25.0	29.0
BSPCJ	1/4"	30.0	37.5
BSPCJ	3/8"	35.0	38.0
BSPCJ	1/2"	42.0	42.0
BSPCJ	3/4"	47.0	50.4
BSPCJ	1"	53.0	48.0
BSPCJ	1 1/4"	71.0	59.0
BSPCJ	1 1/2"	78.0	64.0
BSPCJ	2"	92.0	69.0
BSPCJ	2 1/2"	112.0	80.0
BSPCJ	3"	126.0	88.0
BSPCJ	4"	157.0	108.0

HEXAGON NIPPLE (Male/Male) 304/316

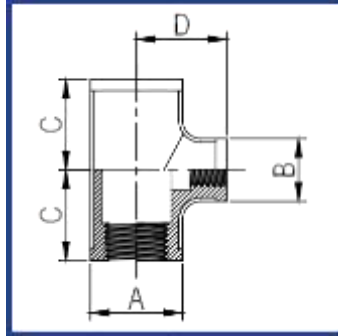


PART NO.	SIZE	A (MM)	B (MM)
BSPHEXN	1/8"	23.6	12.0
BSPHEXN	1/4"	27.8	16.0
BSPHEXN	3/8"	28.0	19.0
BSPHEXN	1/2"	34.0	21.6
BSPHEXN	3/4"	40.0	30.0
BSPHEXN	1"	46.0	36.0
BSPHEXN	1 1/4"	52.5	46.0
BSPHEXN	1 1/2"	54.0	50.0
BSPHEXN	2"	62.0	65.5
BSPHEXN	2 1/2"	70.0	79.5
BSPHEXN	3"	78.4	90.0
BSPHEXN	4"	94.0	120.0

BARREL NIPPLE (Male/Male) 304/316



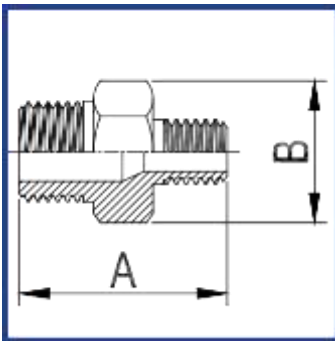
PART NO.	SIZE	A (MM)	B (MM)
BSPBN	1/8"	10.2	40.0
BSPBN	1/4"	13.5	40.0
BSPBN	3/8"	17.2	40.0
BSPBN	1/2"	21.3	60.0
BSPBN	3/4"	26.9	60.0
BSPBN	1"	33.7	60.0
BSPBN	1 1/4"	42.4	80.0
BSPBN	1 1/2"	48.3	80.0
BSPBN	2"	60.3	100.0
BSPBN	2 1/2"	76.1	120.0
BSPBN	3"	88.9	120.0
BSPBN	4"	157.0	108.0



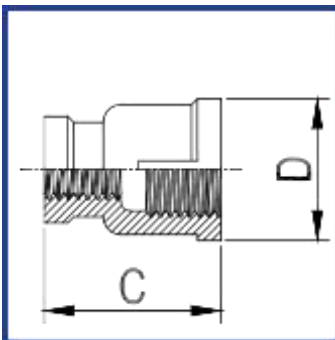
BSP REDUCING SOCKET TEE (Female/Female) 304/316

PART NO.	SIZE	A (MM)	B (MM)	C (MM)	D (MM)
BSPRST	½" x 1/8"	28.8	16.9	22.0	23.0
BSPRST	½" x ¼"	28.8	20.8	24.0	24.0
BSPRST	½" x 3/8"	28.8	23.3	26.0	25.0
BSPRST	¾" x ¼"	35.8	20.8	25.0	27.0
BSPRST	¾" x 3/8"	35.8	23.3	28.0	28.0
BSPRST	¾" x ½"	37.0	30.0	30.0	31.5
BSPRST	1" x ¼"	43.3	20.8	28.0	31.0
BSPRST	1" x 3/8"	43.3	23.3	30.0	31.0
BSPRST	1" x ½"	44.0	30.5	32.0	33.4
BSPRST	1" x ¾"	43.3	35.8	34.0	35.0
BSPRST	1¼" x 3/8"	51.4	23.3	32.0	36.0
BSPRST	1¼" x ½"	51.4	28.8	34.0	38.0
BSPRST	1¼" x ¾"	51.4	35.8	38.0	40.0
BSPRST	1¼" x 1"	51.4	43.3	40.0	42.0
BSPRST	1½" x 3/8"	57.9	23.3	34.0	40.0
BSPRST	1½" x ½"	57.9	28.8	35.0	42.0
BSPRST	1½" x ¾"	57.9	35.8	38.0	43.0
BSPRST	1½" x 1"	57.9	43.3	41.0	45.0
BSPRST	1½" x 1¼"	57.9	51.4	45.0	48.0
BSPRST	2" x ½"	70.6	28.8	38.0	48.0
BSPRST	2" x ¾"	70.6	35.8	41.0	49.0
BSPRST	2" x 1"	70.6	43.3	44.0	51.0
BSPRST	2" x 1¼"	70.6	51.4	48.0	54.0
BSPRST	2" x 1½"	70.6	57.9	52.0	55.0

HEXAGON NIPPLE REDUCING (Male/Male) 304/316

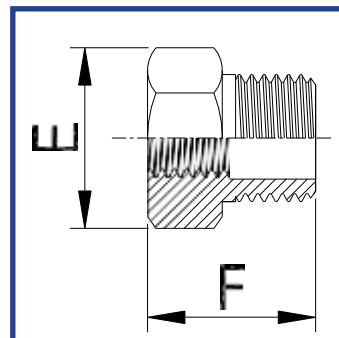


HEXAGON NIPPLE REDUCING (Female/Female) 304/316

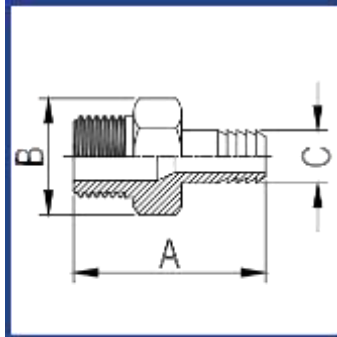


PART NO.	SIZE	A (MM)	B (MM)	C (MM)	D (MM)	E (MM)	F (MM)
BSPR	¼" x 1/8"	34.0	18.0	26.0	21.5	16.0	15.2
BSPR	3/8" x 1/8"	36.0	21.0	30.0	22.6	18.0	16.5
BSPR	3/8" x ¼"	34.0	21.0	29.0	26.0	18.0	16.5
BSPR	½" x 1/8"	34.0	26.0	34.4	29.4	26.0	21.0
BSPR	½" x ¼"	34.0	26.0	33.0	29.7	26.0	21.0
BSPR	½" x 3/8"	41.0	26.0	34.0	29.0	26.0	21.0
BSPR	¾" x 1/8"	37.0	30.0	38.0	36.7	-	-
BSPR	¾" x ¼"	37.0	30.0	34.5	36.5	30.0	24.0
BSPR	¾" x 3/8"	37.0	30.0	36.5	36.8	30.0	24.0
BSPR	¾" x ½"	45.0	30.0	37.0	36.7	30.0	24.0
BSPR	1" x 1/8"	-	-	41.7	43.7	-	-
BSPR	1" x ¼"	39.0	35.0	42.0	43.7	35.0	27.0
BSPR	1" x 3/8"	40.0	35.0	42.7	46.3	35.0	27.0
BSPR	1" x ½"	43.2	35.0	42.8	44.7	35.0	27.0
BSPR	1" x ¾"	50.0	37.0	42.0	43.0	35.0	27.0
BSPR	1¼" x 3/8"	46.0	46.0	-	-	-	-
BSPR	1¼" x ½"	48.0	46.0	49.0	52.5	45.0	30.0
BSPR	1¼" x ¾"	52.0	46.0	48.0	54.5	45.0	30.0
BSPR	1¼" x 1"	54.0	46.0	52.0	52.5	45.0	30.0
BSPR	1½" x 3/8"	48.0	50.0	47.0	59.0	52.0	36.0
BSPR	1½" x ½"	49.0	50.0	51.0	59.0	52.0	36.0
BSPR	1½" x ¾"	53.0	50.0	48.5	59.5	52.0	36.0

HEXAGON REDUCING BUSHING (Male/Female) 304/316

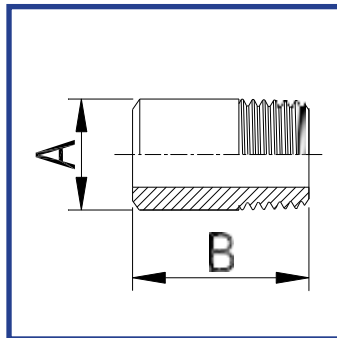


BSP MALE HOSETAIL (Male) 304/316



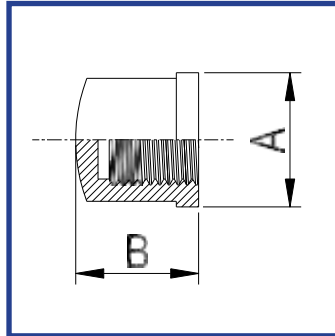
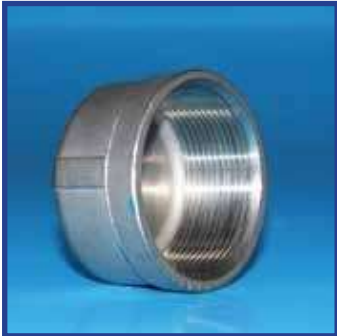
PART NO.	SIZE	A (MM)	B (MM)	C (MM)
BSPHTM	1/8"	45.0	12.5	4.5
BSPHTM	1/4"	47.0	16.5	6.35
BSPHTM	3/8"	55.0	20.0	9.5
BSPHTM	1/2"	64.0	23.5	12.7
BSPHTM	3/4"	68.0	31.0	19.05
BSPHTM	1"	71.0	38.5	25.4
BSPHTM	1 1/4"	80.0	46.0	31.8
BSPHTM	1 1/2"	95.0	52.0	38.1
BSPHTM	2"	105.0	62.0	50.8
BSPHTM	2 1/2"	107.0	80.0	63.5
BSPHTM	3"	112.0	91.0	76.2
BSPHTM	4"	130.0	116.5	101.6

BSP WELDING NIPPLE (Male) 304/316



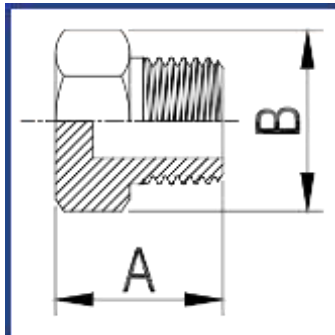
PART NO.	A	B (MM)	(MM)
BSPWN	1/8"	10.2	30.0
BSPWN	1/4"	13.5	30.0
BSPWN	3/8"	17.2	30.0
BSPWN	1/2"	21.3	35.0
BSPWN	3/4"	26.9	40.0
BSPWN	1"	33.7	40.0
BSPWN	1 1/4"	42.4	50.0
BSPWN	1 1/2"	48.3	50.0
BSPWN	2"	60.3	50.0
BSPWN	2 1/2"	76.1	60.0
BSPWN	3"	88.9	70.0
BSPWN	4"	114.3	80.0

BSP ROUND CAP BANDED (Female) 304/316



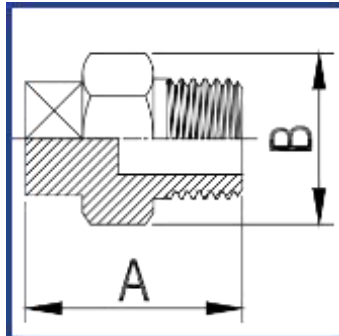
PART NO.	SIZE	A (MM)	B (MM)
BSPRCB	1/8"	18.0	15.0
BSPRCB	1/4"	21.0	17.0
BSPRCB	3/8"	24.0	17.0
BSPRCB	1/2"	27.3	19.0
BSPRCB	3/4"	35.0	24.0
BSPRCB	1"	42.0	29.0
BSPRCB	1 1/4"	52.0	32.0
BSPRCB	1 1/2"	57.5	34.0
BSPRCB	2"	69.3	38.0
BSPRCB	2 1/2"	91.0	43.0
BSPRCB	3"	106.0	48.0
BSPRCB	4"	133.0	53.0

HEXAGON PLUG- TAPER THREAD (Male) 304/316



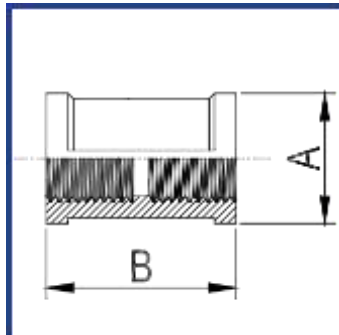
PART NO.	SIZE	A (MM)	B (MM)
BSPTHEXP	1/8"	17.0	12.0
BSPTHEXP	1/4"	17.5	16.0
BSPTHEXP	3/8"	18.0	20.0
BSPTHEXP	1/2"	25.0	24.0
BSPTHEXP	3/4"	26.0	30.0
BSPTHEXP	1"	29.0	38.0
BSPTHEXP	1 1/4"	35.0	46.0
BSPTHEXP	1 1/2"	38.0	52.0
BSPTHEXP	2"	39.0	65.0
BSPTHEXP	2 1/2"	44.0	81.0
BSPTHEXP	3"	54.0	94.0
BSPTHEXP	4"	125.0	64.7

BSP SQUARE PLUG (Male) 304/316



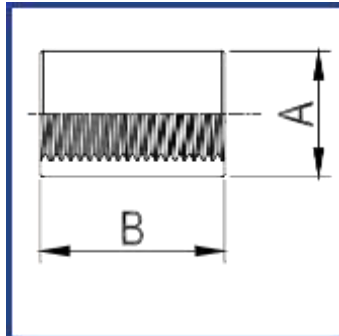
PART NO.	SIZE	A (MM)	B (MM)
BSPSPM	1/8"	19.0	6x6
BSPSPM	1/4"	20.0	9x9
BSPSPM	3/8"	22.0	11x11
BSPSPM	1/2"	25.0	13x13
BSPSPM	3/4"	27.0	16x16
BSPSPM	1"	32.0	20x20
BSPSPM	1 1/4"	35.0	24x24
BSPSPM	1 1/2"	37.0	25x25
BSPSPM	2"	38.0	32x32
BSPSPM	2 1/2"	48.0	42x42
BSPSPM	3"	52.0	46x46
BSPSPM	4"	62.00	58x58

BSP SOCKET BANDED (Female/Female) 304/316



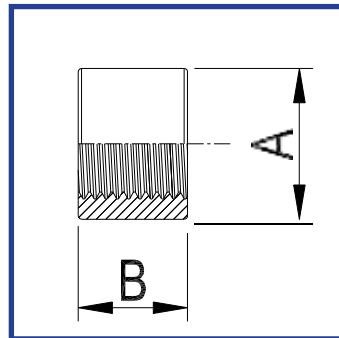
PART NO.	SIZE	A (MM)	B (MM)
BSPSBF	1/8"	16.0	24.0
BSPSBF	1/4"	20.0	26.0
BSPSBF	3/8"	25.0	29.0
BSPSBF	1/2"	30.0	36.0
BSPSBF	3/4"	37.2	38.0
BSPSBF	1"	44.0	41.0
BSPSBF	1 1/4"	52.0	49.0
BSPSBF	1 1/2"	60.0	49.0
BSPSBF	2"	72.0	55.0
BSPSBF	2 1/2"	89.0	61.6
BSPSBF	3"	104.0	71.0
BSPSBF	4"	131.0	84.0

BSP SOCKET PLAIN (Female/Female) 304/316



PART NO.	SIZE	A (MM)	B (MM)
BSPSP	1/8"	15.0	17.0
BSPSP	1/4"	18.5	25.0
BSPSP	3/8"	21.3	26.0
BSPSP	1/2"	27.7	34.0
BSPSP	3/4"	33.0	36.0
BSPSP	1"	39.7	43.3
BSPSP	1 1/4"	49.0	48.0
BSPSP	1 1/2"	55.0	48.0
BSPSP	2"	67.0	56.0
BSPSP	2 1/2"	82.9	65.6
BSPSP	3"	96.0	71.0
BSPSP	4"	123.6	83.5

BSP HALF SOCKET PLAIN (Female/Female) 304/316



PART NO.	SIZE	A (MM)	B (MM)
BSPHSP	1/8"	15.0	10.0
BSPHSP	1/4"	18.5	11.0
BSPHSP	3/8"	21.3	12.0
BSPHSP	1/2"	27.7	15.5
BSPHSP	3/4"	33.0	17.4
BSPHSP	1"	39.7	20.0
BSPHSP	1 1/4"	49.0	22.0
BSPHSP	1 1/2"	55.0	22.0
BSPHSP	2"	67.0	26.9
BSPHSP	2 1/2"	82.9	31.0
BSPHSP	3"	96.0	34.0
BSPHSP	4"	123.6	39.0