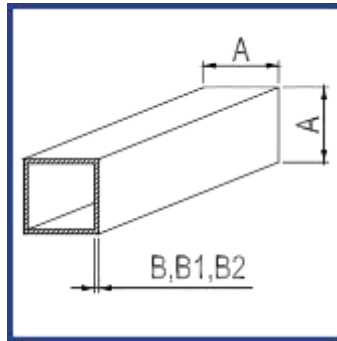
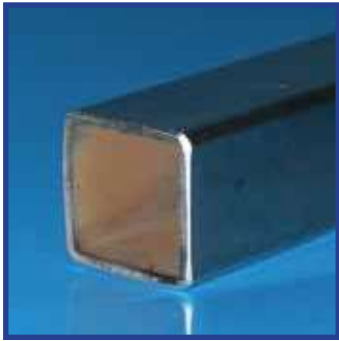


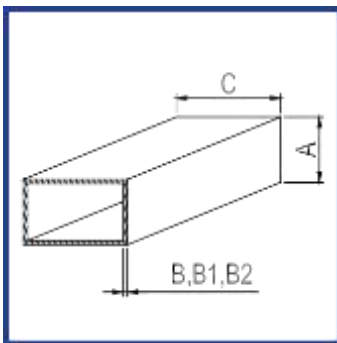
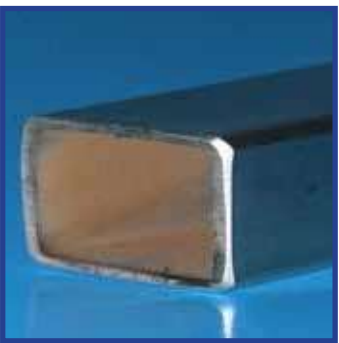
## SECTION, FLAT AND ANGLE ASTM A554

### SQUARE BOX SECTION 304, 316 ASTM A554



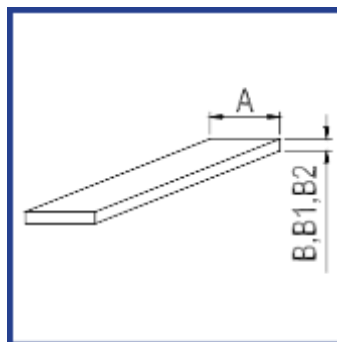
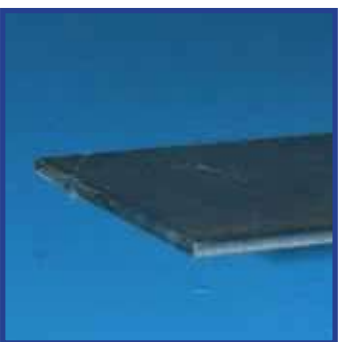
PART NO.	SIZE	A (MM)	B (MM)	C (MM)
SBXS	25.0 x 25.0	1.5	2.0-	-
SBXS	30.0 x 30.0	1.5	-	-
SBXS	40.0 x 40.0	1.5	2.0	3.0
SBXS	50.0 x 50.0	1.5	2.0	3.0
SBXS	80.0 x 80.0	-	2.0	3.0
SBXS	100.0 x 100.0	-	3.0	5.0
SBXS	150.0 x 150.0	-	3.0	5.0

### RECTANGULAR BOX SECTION 304, 316 ASTM A554



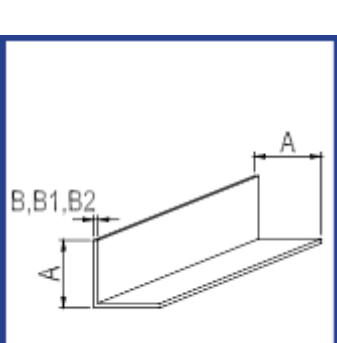
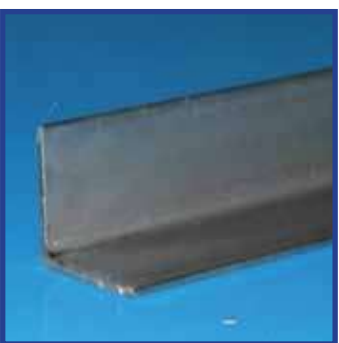
PART NO.	SIZE	A (MM)	B (MM)	C (MM)
RBXS	40.0 x 20.0	1.5	-	-
RBXS	50.0 x 25.0	1.5	2.0	-
RBXS	60.0 x 30.0	-	2.0	3.0
RBXS	80.0 x 40.0	-	2.0	3.0
RBXS	100.0 x 50.0	-	3.0	5.0

### FLAT BAR 304, 316 BS970 Part 4



PART NO.	A (MM)	B (MM)	B1 (MM)	B2 (MM)
FLB	20.0	3.0	5.0	6.0
FLB	25.0	3.0	5.0	6.0
FLB	30.0	3.0	5.0	6.0
FLB	40.0	3.0	5.0	6.0
FLB	50.0	3.0	5.0	6.0

### ANGLE 304, 316, 316L BS970 Part 1



PART NO.	A (MM)	B (MM)	B1 (MM)	B2 (MM)
ANGL	25.0 x 25.0	3.0	5.0	6.0
ANGL	40.0 x 40.0	4.0	5.0	6.0
ANGL	50.0 x 50.0	-	5.0	6.0
ANGL	80.0 x 80.0	-	6.0	8.0
ANGL	100.0 x 100.0	-	6.0	8.0